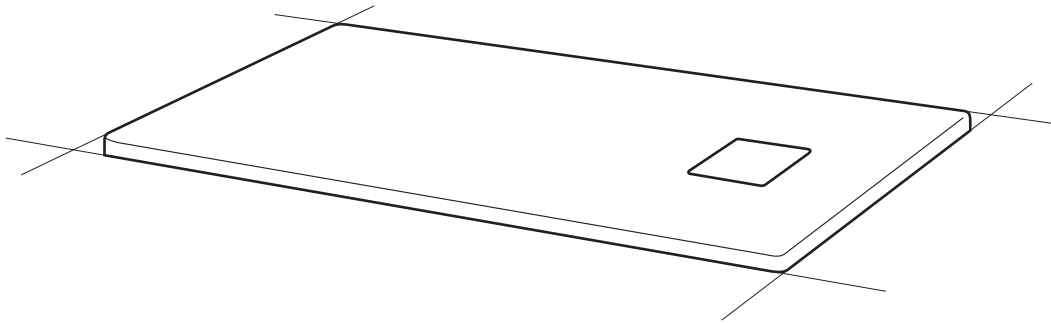
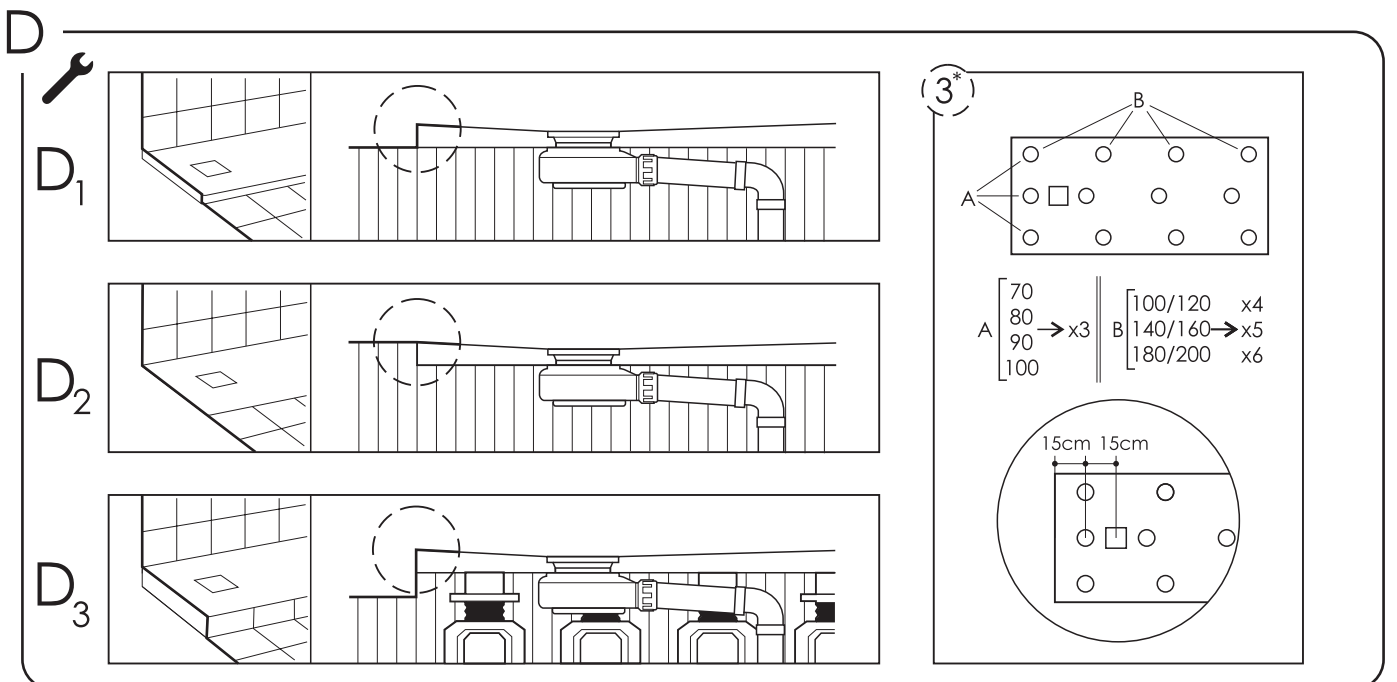
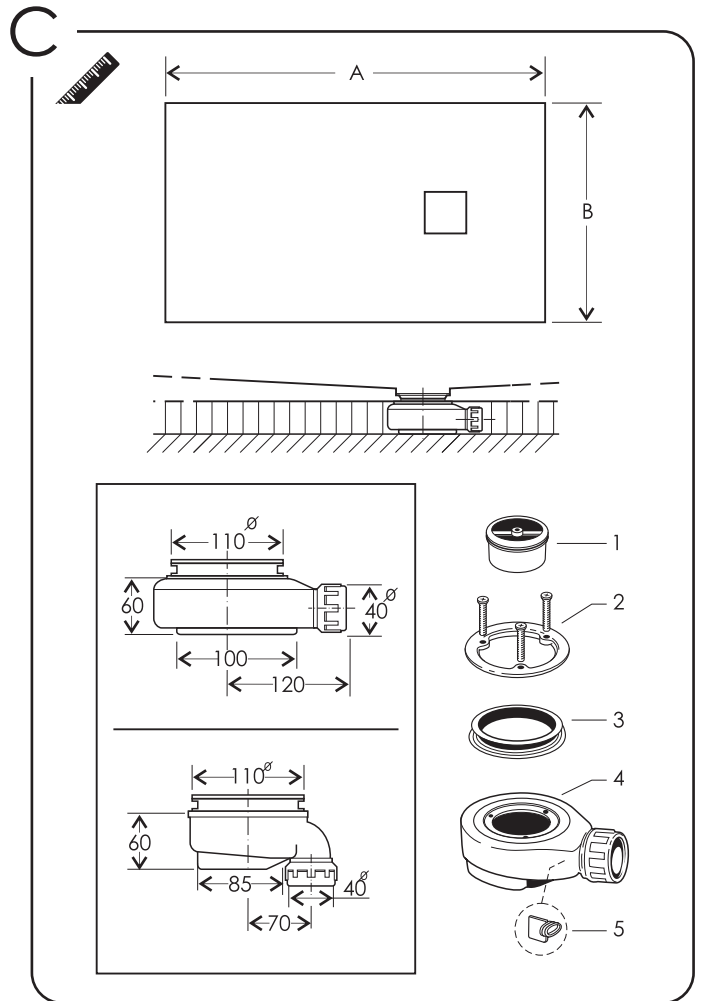
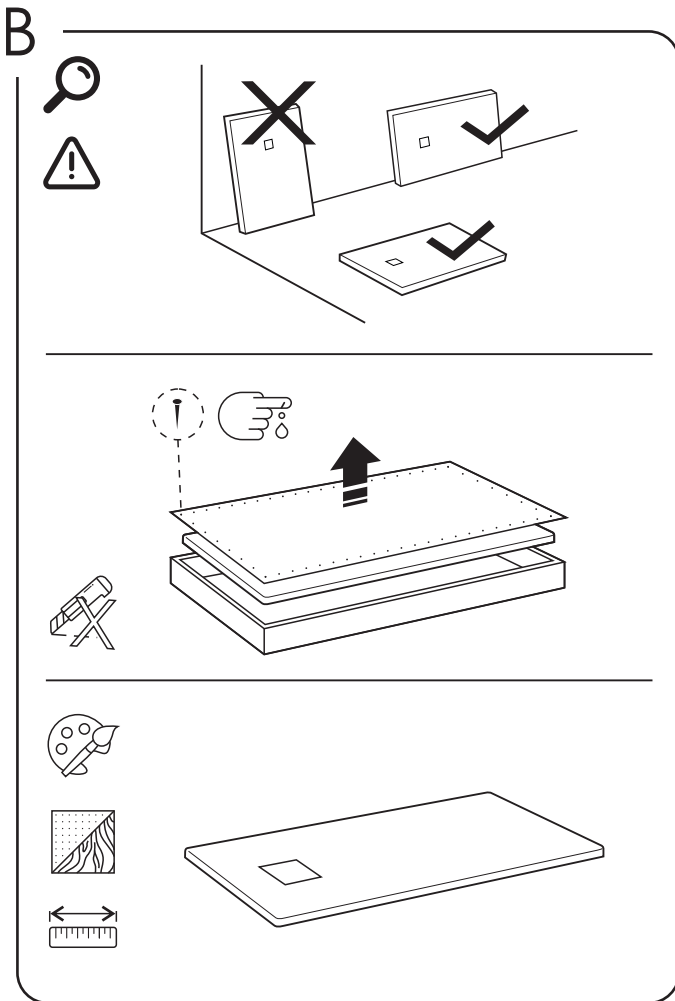
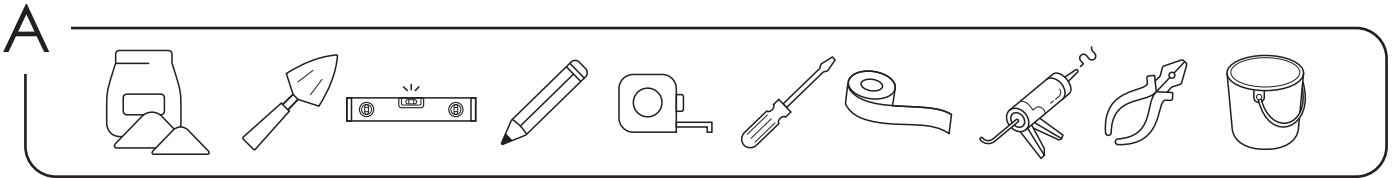


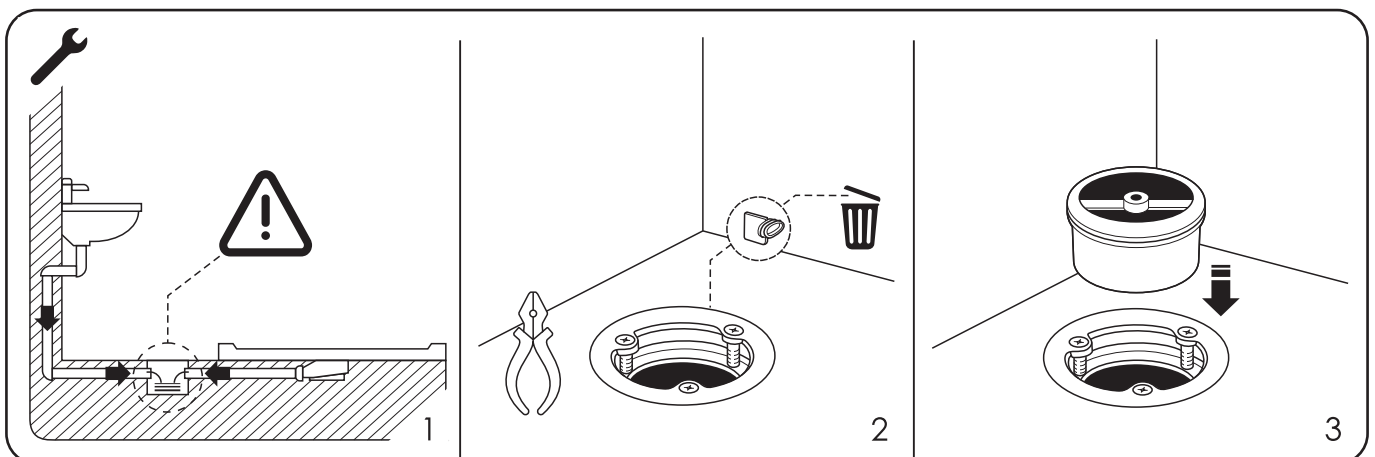
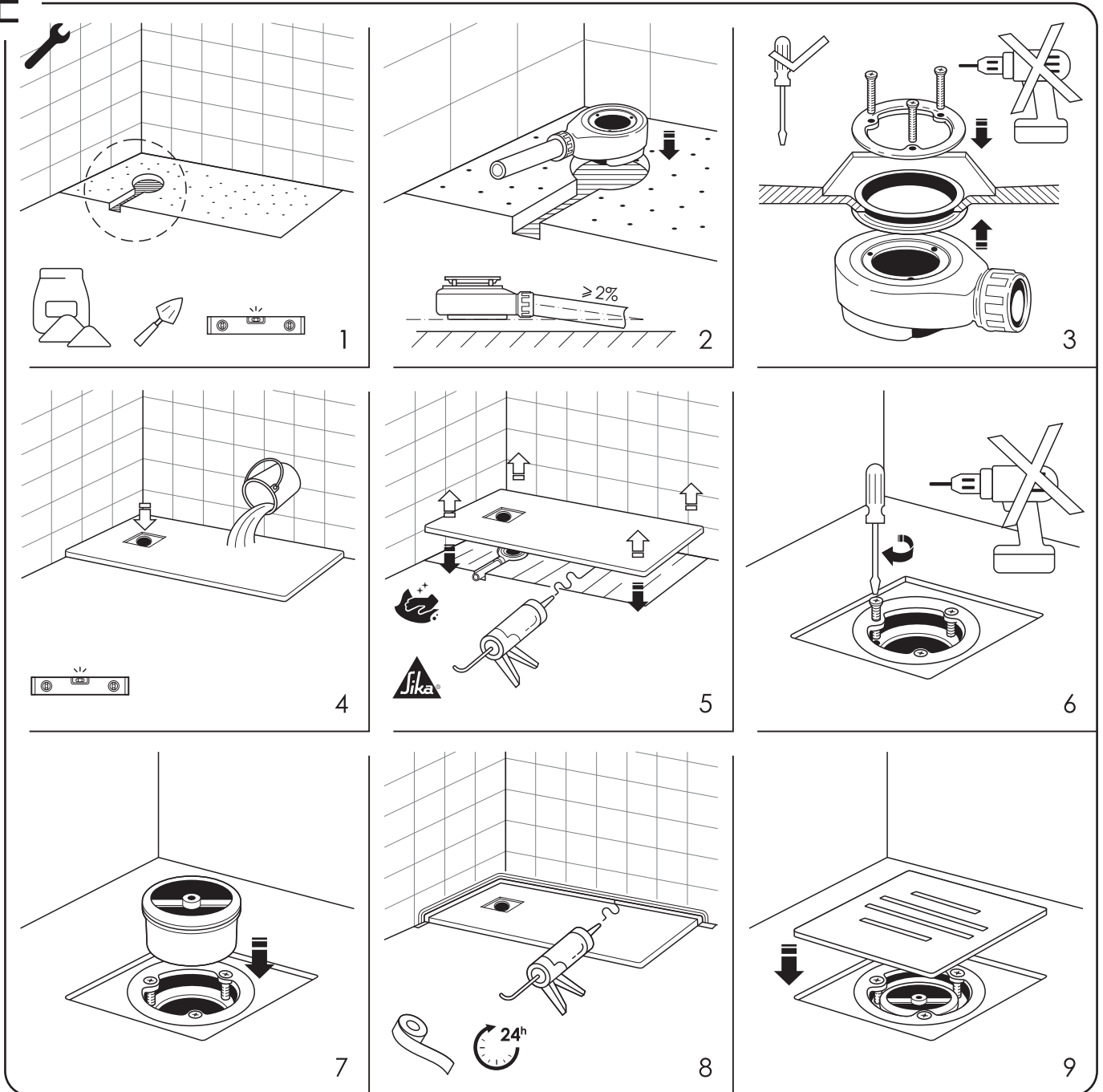
SOMMER Showering Products

MAINTENANCE AND INSTALLATION MANUAL - SHOWER TRAYS

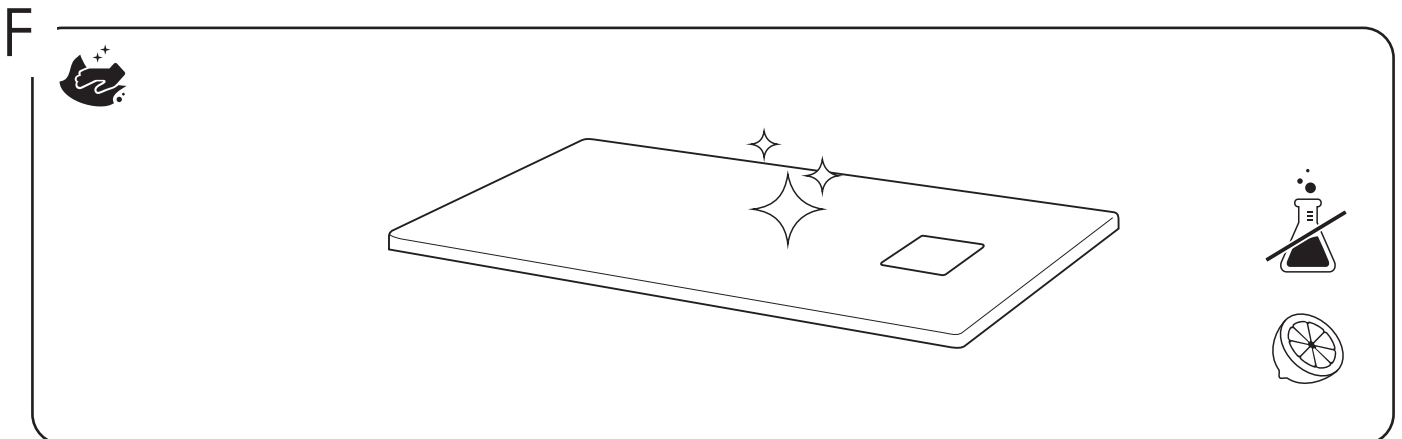
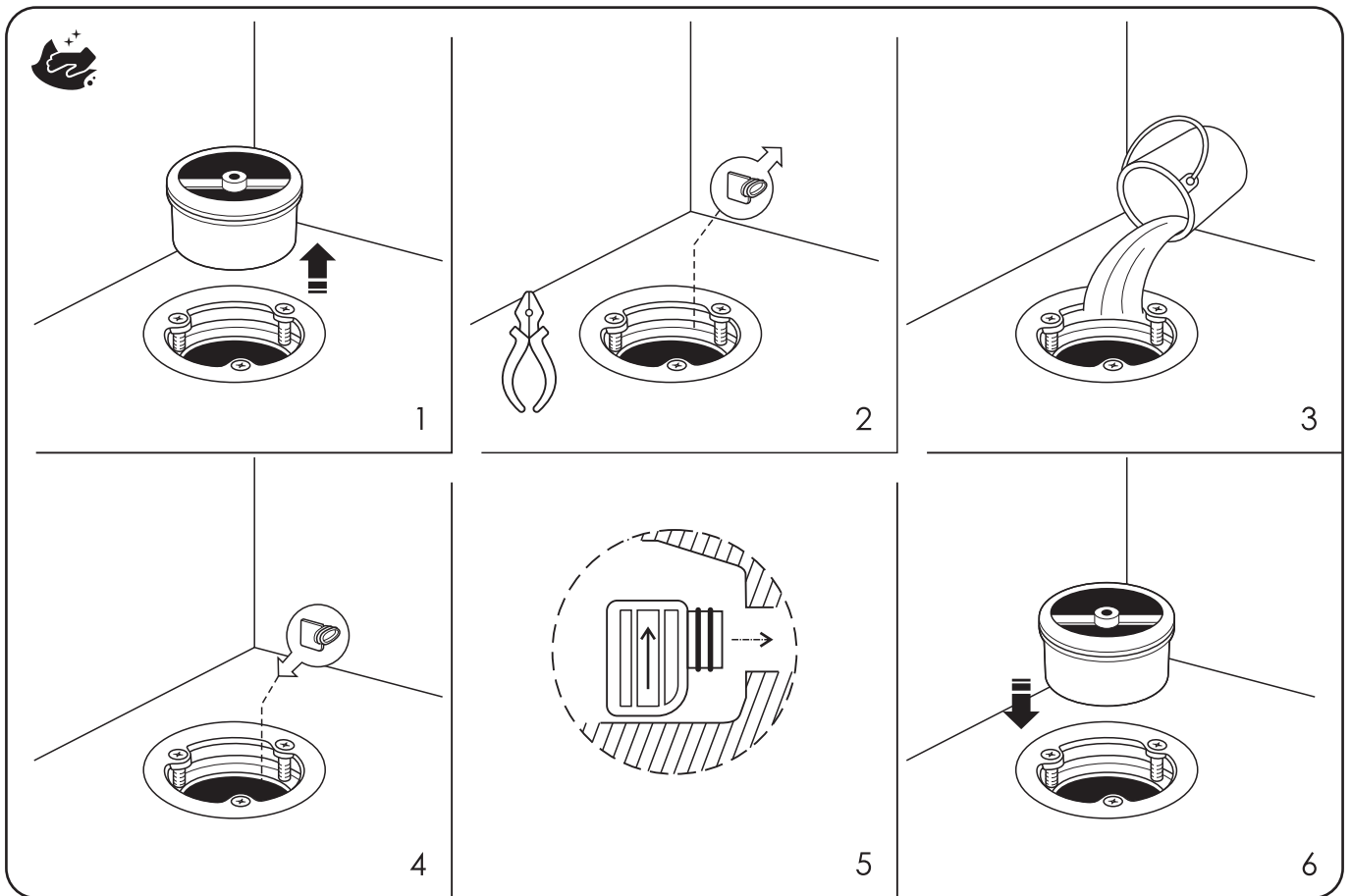
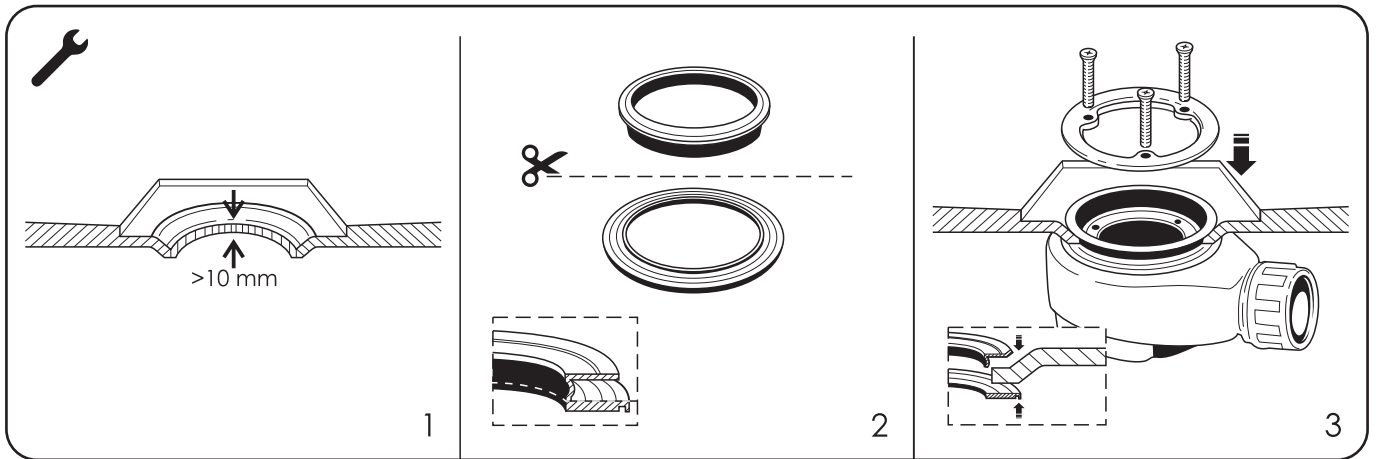




E



// ASSEMBLY INSTRUCTIONS //



A NECESSARY TOOLS FOR ASSEMBLY

B UNPACKING AND CHECK

Store the shower tray horizontally, remove all the screws completely from the cover, being careful not to scratch the shower tray base.

Do not use a cutter knife to open the box.

Installation must be performed by professional installers.

Before fitting the shower tray, please verify the following:

- Model, size, colour and finish of the tray are correct.
- There are no visible damages on the surface.
- The shower tray drains correctly.

The tray must be stored flat, NEVER store the tray in an upright position.

C MEASUREMENTS. TYPE OF WASTE

The waste can be either Horizontal / Vertical

DRAINAGE SYSTEM PARTS AND FITTINGS

1. Drain pipe
2. Metal adjustment ring
3. Rubber joint ring
4. Trap
5. Orange plug

D INSTALLATION OPTIONS

1. Standard
2. Wetroom-like / Floor level installation
3. Raised*

*Instructions on how to install the tray raising it with a raiser kit.

E ASSEMBLY INSTRUCTIONS

Tip: For trays larger than 1600 it is suggested to raise a few mm. the side opposite to the location of the waste to give a better slope.

1. Set the position of the valve and prepare a flat base. In case of a made to measure tray, install the cut parts on the wall.
2. Install the valve and make sure it is well leveled with the base. Connect it to the waste pipe. Then make sure the slope of this drainage system is at least 2%.
3. Place the rubber joint ring in the waste location of the tray. Once you have made sure that the waste location of the tray and the valve are correct you can clean and prepare the base where the tray will sit. Fit the metal adjustment ring and screw it to the valve. Try not to use power drill.
4. Check that the tray drains properly and it is leveled correctly.

5. Now you can disassemble the waste valve and take off the shower tray and clean the flat base. Apply the proper adhesive product on that flat base (Sikaflex or similar) and now you can place the tray again on the base and make sure it is leveled.
6. Install the drain valve again. Try not to use a power drill.
7. Connect trap and waste pipe.
8. Proceed to sealing. Cover and protect the surface of the tray while sealing. Wait a minimum of 24 hours to make sure it dries correctly.
9. Place the grate in its location. The shower tray is now ready to use.

F

CLEANING OF THE SHOWER TRAY

The cleaning of the shower tray must be done without damaging the surface of the tray.

Never use a scourer, strong solvent, acids, abrasive or very aggressive cleaning products. These products should only be used if the tray needs a more technical solution.

Use a soft cloth or a wet sponge with standard soap and warm water. Rinse and let it dry.

White vinegar can be used for cleaning the tray as well.

G

USE AND MAINTENANCE

For the routine cleaning of the resin shower tray, use water, liquid cleaners and soft cloths or non-abrasive sponges. Never use scourers as they can damage the surface of the shower tray.

If you are going to use hair dyes, rinse the shower tray with abundant water and soap when finished.

To remove any traces of lime that can stay in the surface, use a limescale cleaner lowering 1:3 with water as follows:

- Apply with a wet cloth over the entire surface
- Leave on for 15 minutes and after that rinse thoroughly
- Place the grid again and rinse the shower tray again.



SOMMER

Showering Products



SOMMER

Showering Products

Barwick is the trading name of Barwick Bathroom Distribution LLP, registered at Companies House in Cardiff, No OC316484.

Registered Office, 40 Wharfedale Road, Euroway Trading Estate, Bradford. BD4 6SG.

UK CA

Resin Shower Trays
DdP n°: 01

UNE-EN 14527 - CL1
Domestic use and personal hygiene.