

JACKBOARD® Aqua Line Easy

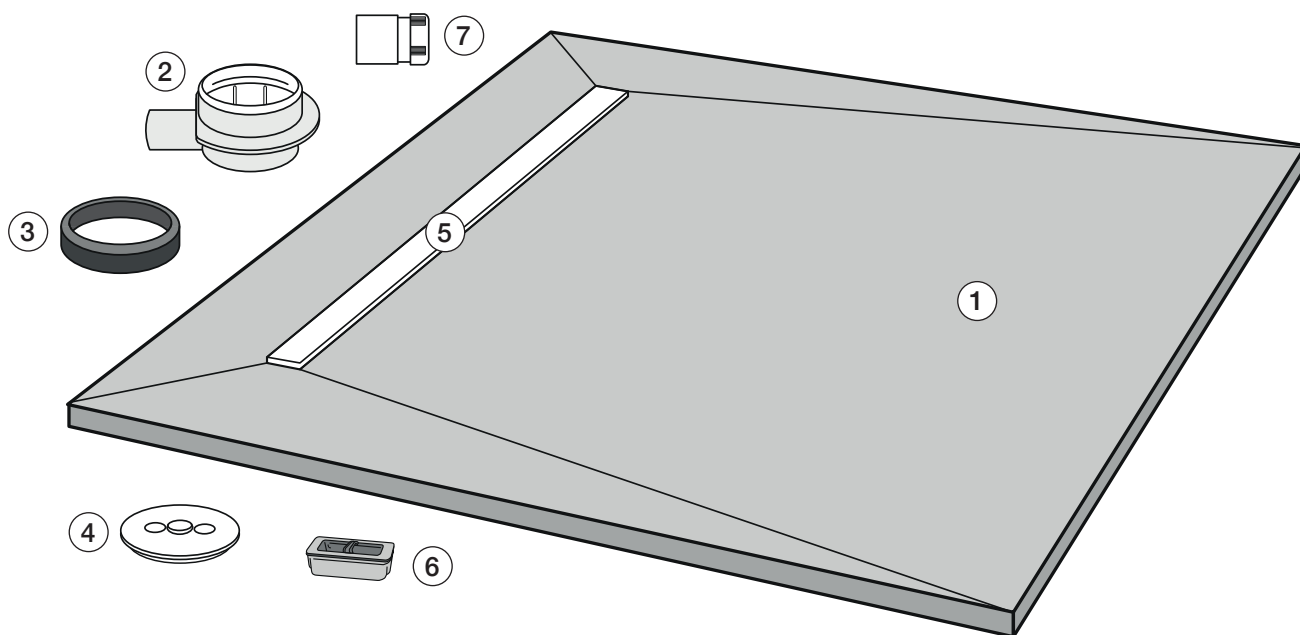
Shower Base - Solid Floors.



Installation Guide



System components

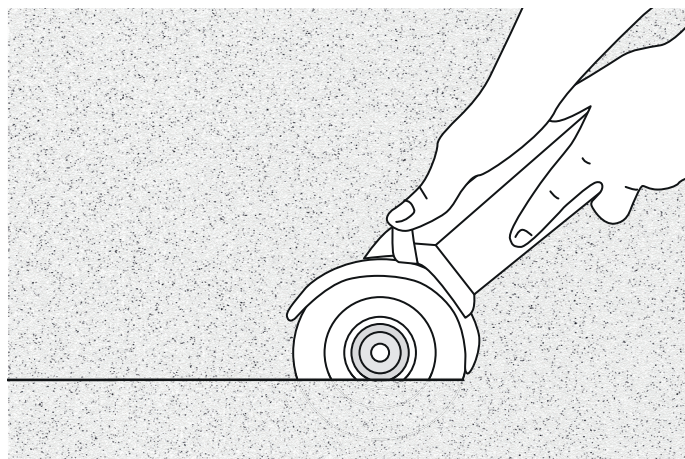


- ① Aqua Line Easy Shower Base
- ② Horizontal (or vertical) floor drain
- ③ Retaining Ring with Seal Ring (incorporated)
- ④ Protective cover
- ⑤ Stainless Steel drain cover (can be inverted and tiled)
- ⑥ Trap cup (pre-fitted within base nozzle and removable for maintenance and cleaning)
- ⑦ Compression Fit Adaptor

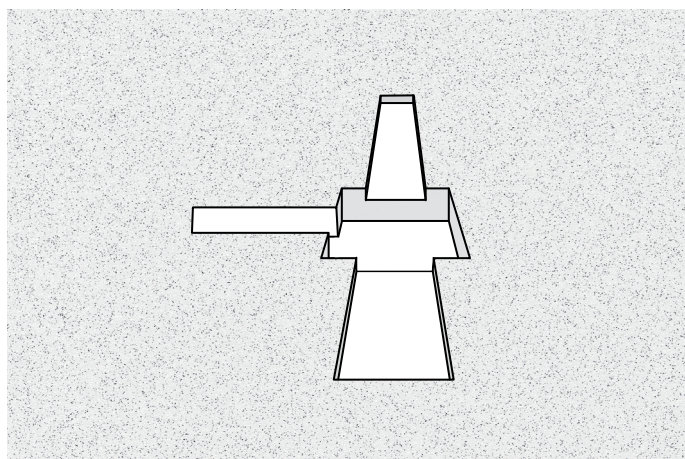
Position the shower base on the solid floor having removed the trap cup from the shower base and draw around the orifice to mark the drain position on the floor. The following instructions assume you are bonding the shower

base on top of the existing solid floor. Alternatively, in a new or refurbishment build you could create a recess in the slab and or screed to allow for some (or all) of the thickness of the shower base.

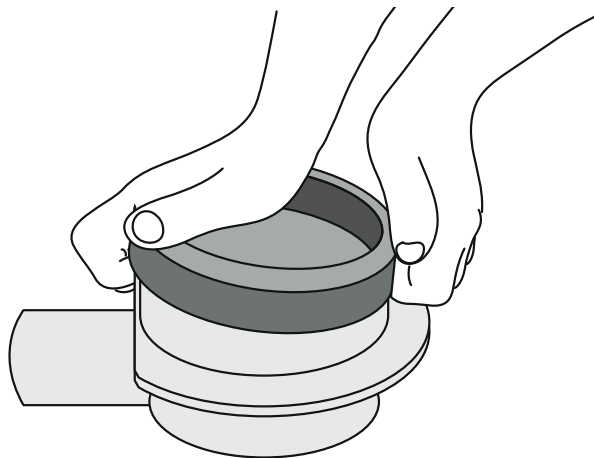
1) Cut a channel deep enough to take a 2" BS waste pipe from the drain position to a suitable exit point.



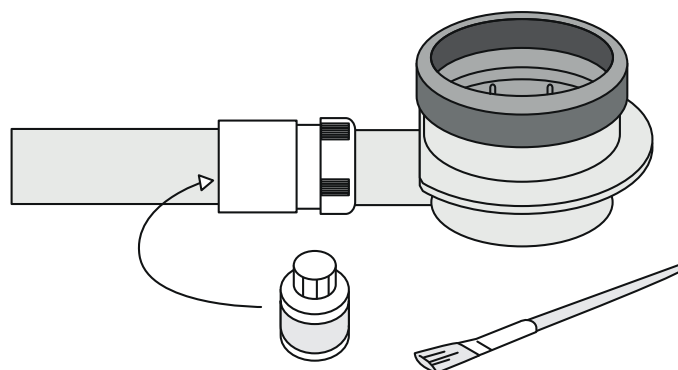
2) Make a cut-out for the drain body 170mm square and 110mm deep. You will also need to chase out a recess 2cm deep either side of this cut-out to accommodate the length of the plastic drain fitting which projects from the underside of the shower base. Use the white polystyrene packing in the shower base carton as a template for this recess.

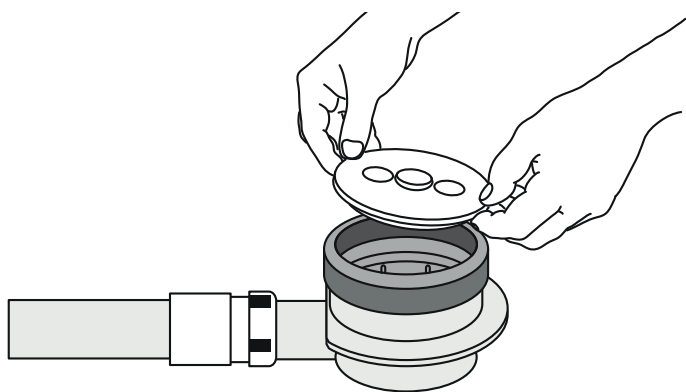


3) Place the retaining ring with seal ring on the drain body and push it down firmly until it audibly clicks into place.

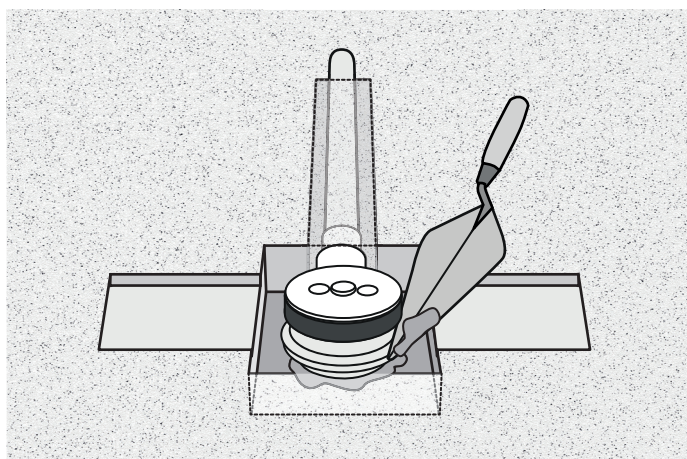


4) Fully tighten the Compression Fit Adaptor onto the spigot of the drain and then solvent weld a 2" ABS British Standard Pipe onto the connector.

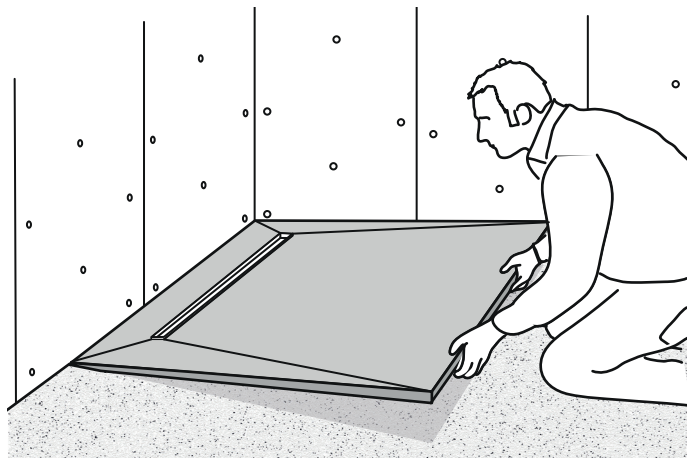




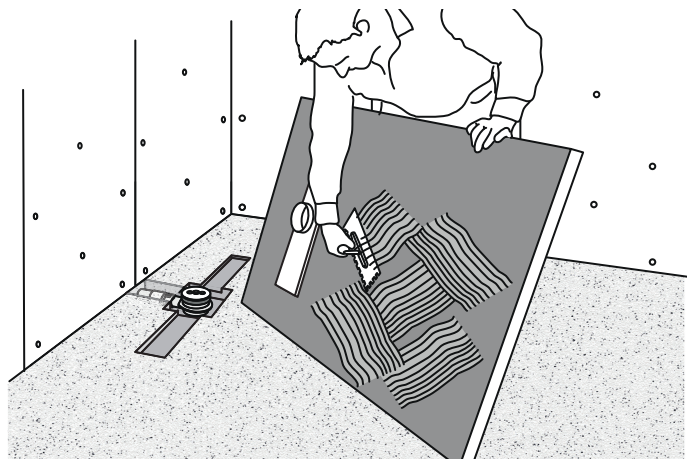
5) Cover the floor drain with the protective cover.



6) Lay the connected drain body and waste pipe into the channel and place a dab of mortar or cement based tile adhesive beneath the drain body to bring it level with the surrounding floor. Then infill around the connecting pipe to also bring this area level with the floor.

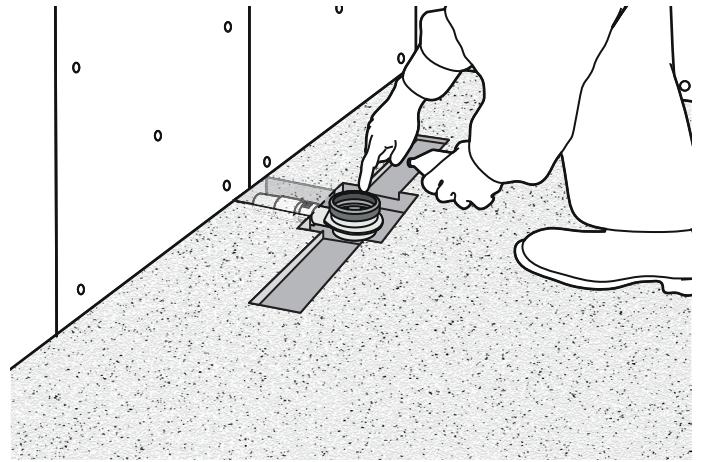


7) Position the shower base over the drain to make sure they are correctly aligned. (But don't remove the protective cover and force the nozzle in to the drain). Ensure any connections created are waterproof at this stage because it will not be possible to return to them once the unit is tiled. (You can do this by pouring water down the drain to check the seals).

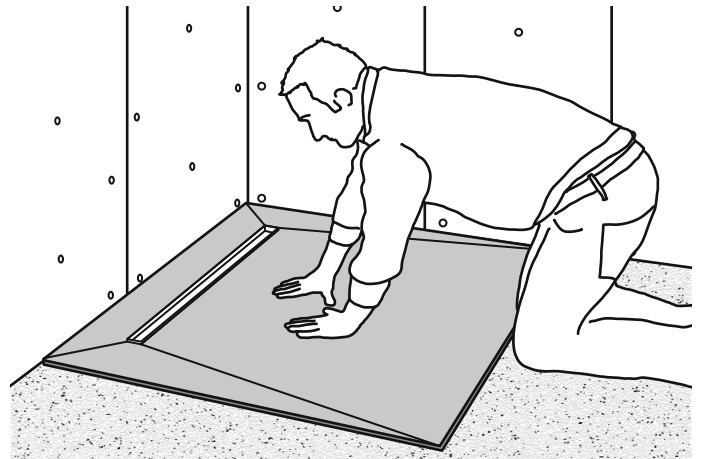


8) Comb out a continuous layer of cement-based single part flexible tile adhesive (such as **TileBacker Rapid Flex Adhesive**) to the underside of the shower base using a 10mm notched spreader. Keep the adhesive clear of the drain nozzle area.

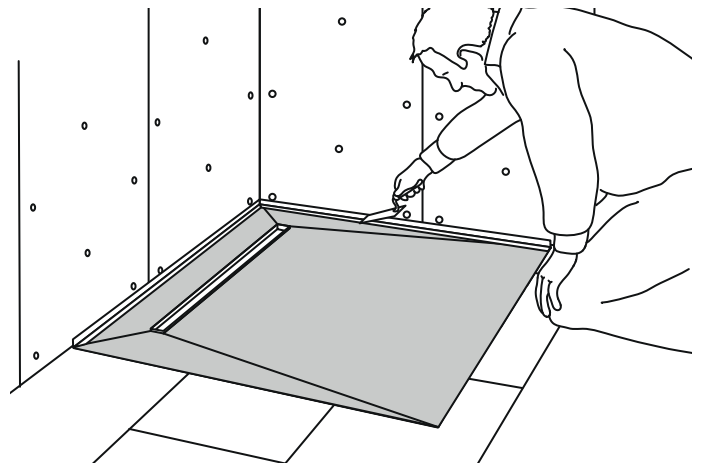
9) Remove the protective cover and grease the seal ring on the drain body to ease installation of the shower base.



10) Carefully position the Aqua Line Easy shower base over the drain body and push firmly into place, making sure that the drain nozzle fits into the seal ring on the drain unit. Check that the shower base is level.



11) Build up the surrounding floor area with JACKOBOARD® Construction Board thick enough to bring it level with the shower base, and then seal and tape all joints with an appropriate sealing system (such as the JACKOBOARD® Sealing Set for example).



Tiling can now commence. A tapering stainless steel Line Profile is available for the single fall 40mm thick base to cover the slope where the base meets the surrounding construction board floor.

The stainless steel drain cover can be inverted and tiled on the reverse, if desired. All types of tile can be used, in principle. When using mosaic tile 25mm square or smaller then we recommend using an epoxy grout.

If showers are to be wheelchair accessible the tiles must be at least 50mm square.

On bases with four sided falls, tiles bigger than 100mm square must be cut to follow the valleys of the falls.

Please note

The information in this leaflet is based on our experience and current materials specification. It represents no specific guarantee and the instructions for use outlined should be always observed together with considerations regarding building structure and existing Building Law.