

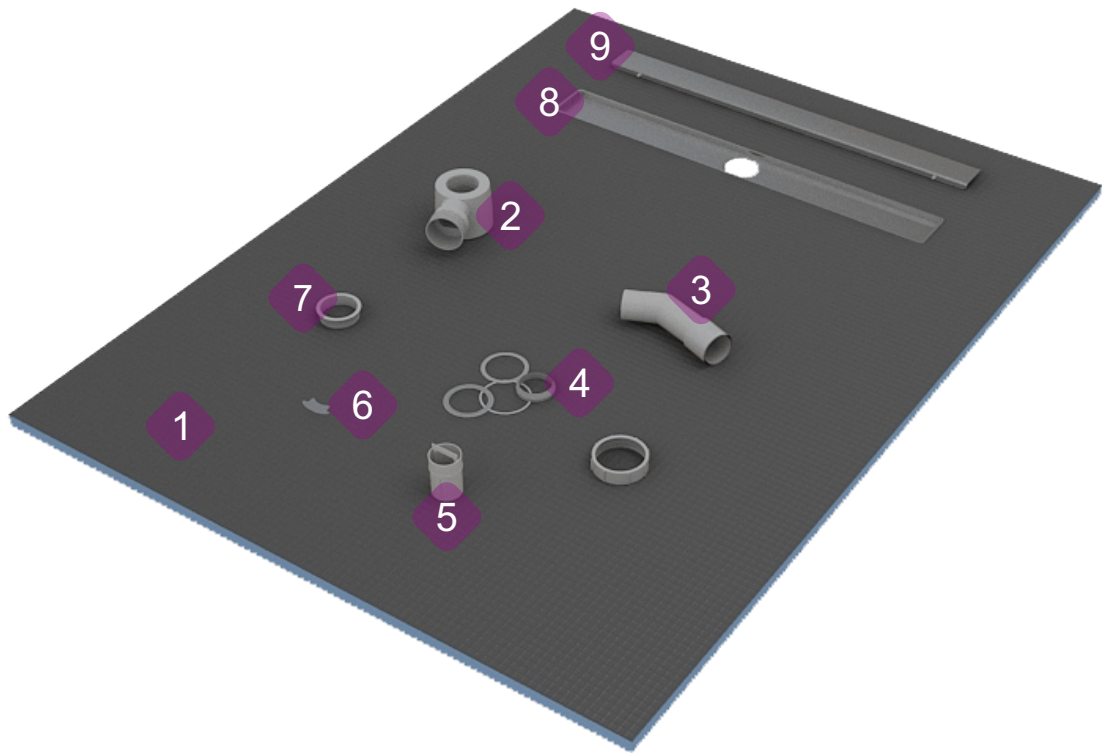
Linear drain shower deck



Linear Drain Shower deck

Assembly Information

Linear drain shower deck



System Components

1 . Linear drain shower deck

2 . Drain Body

3 . 40mm/50mm connection pipe

4 . O-ring

5 . Drain Basket

6 . Key

7 . Connection

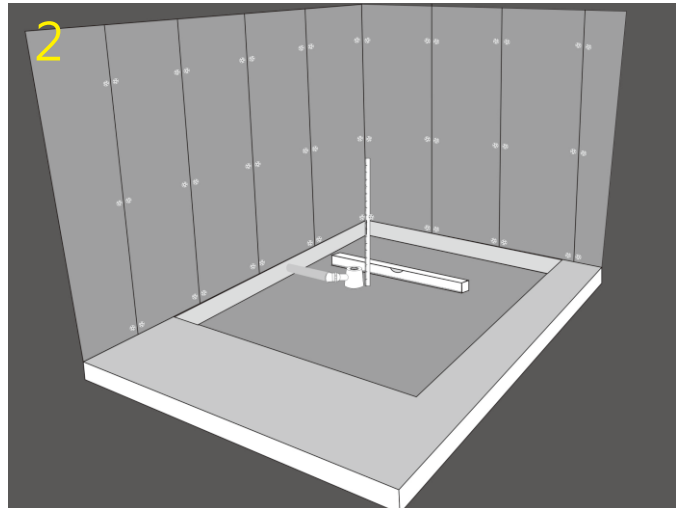
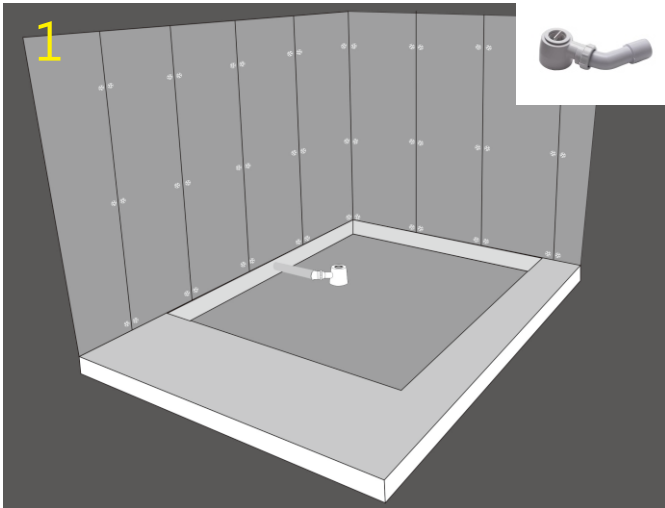
8 . Stainless Steel Support 600/700/900mm length

9 . Stainless Steel Grate 600/700/900mm length

Installation Information For Wooden Floor

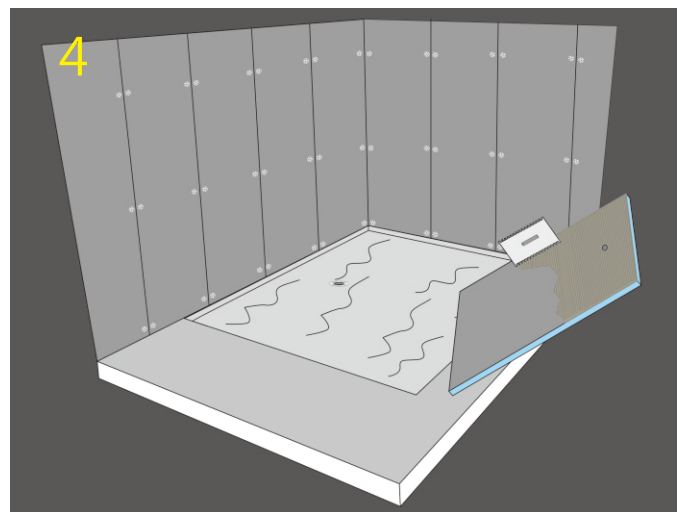
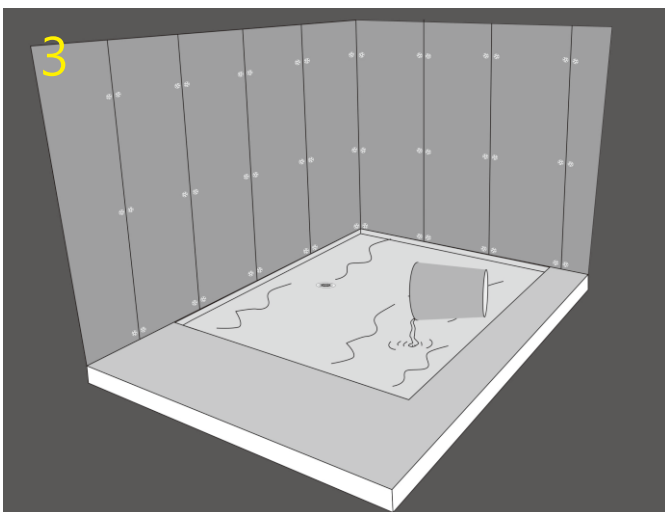
LINEAR DRAIN SHOWER DECK

Tip: Ceramic tiles smaller than 5cm x 5cm must be grouted using epoxy grout. River Rock or Pebble Stones must be grouted with a modified cementitious sanded grout.



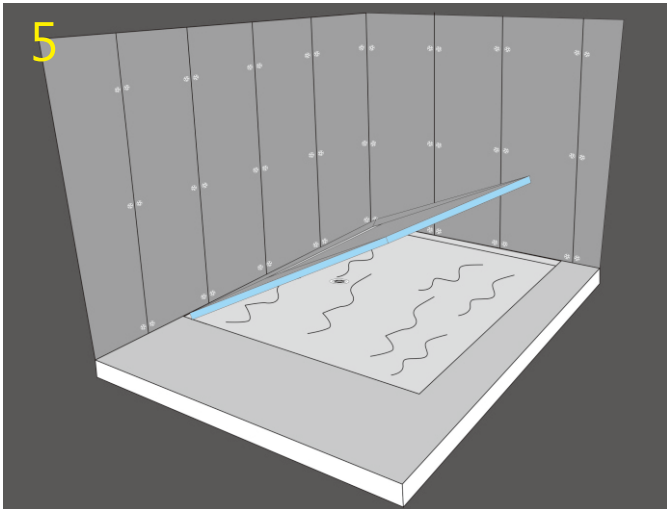
1. Glue and seal the drain body to the 50mm pipe. If the pipe is 40mm, then need to use the compent 3(40mm/50mm connection pipe).

2. The height offset from the upper edge of the drain to the upper edge of the screed is dependent on the size of the shower deck.

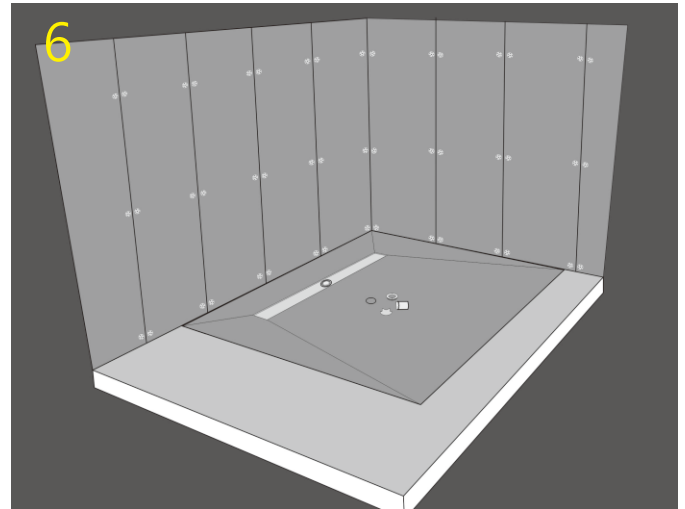


3. Spread the adhesive evenly over the area where the shower deck is to be installed, being carefully to clean away any adhesive on the rim of the trap.

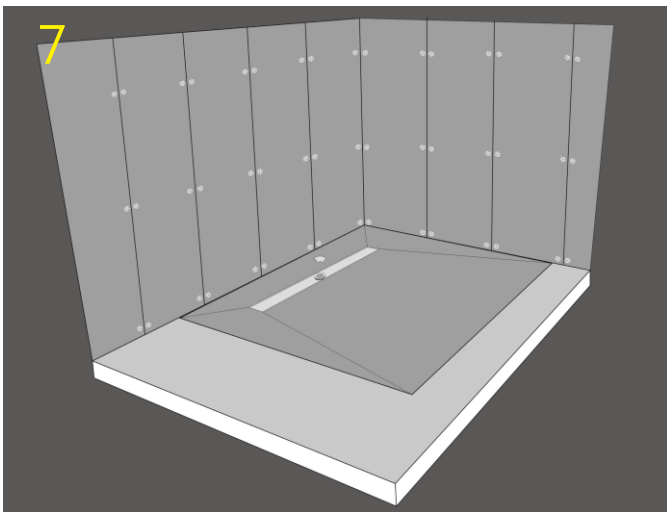
4. After the leveling screed has hardened, an appropriate adhesive (e.g. tile adhesive/flexible glue) is applied all over the underside of the shower unit using a notched spatula.



5. The linear drain shower deck is inserted into the screed opening so that the sealing washer lies centrally on the drain.



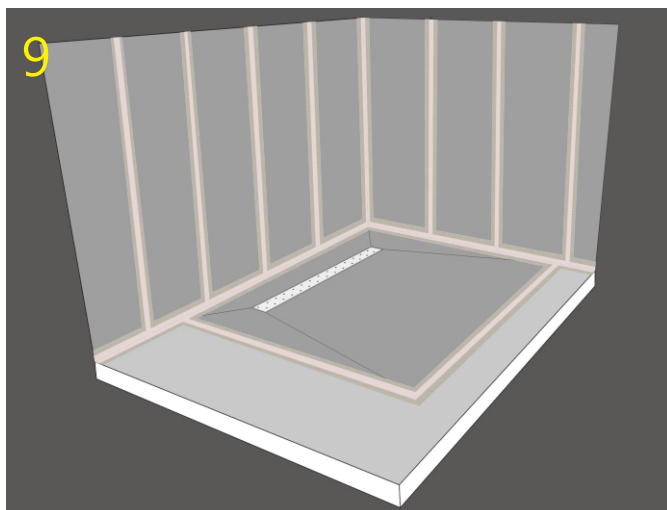
6. Floor drain body parts put away, prepare other accessories (primarily floor drain and floor drain body plate connecting portion)



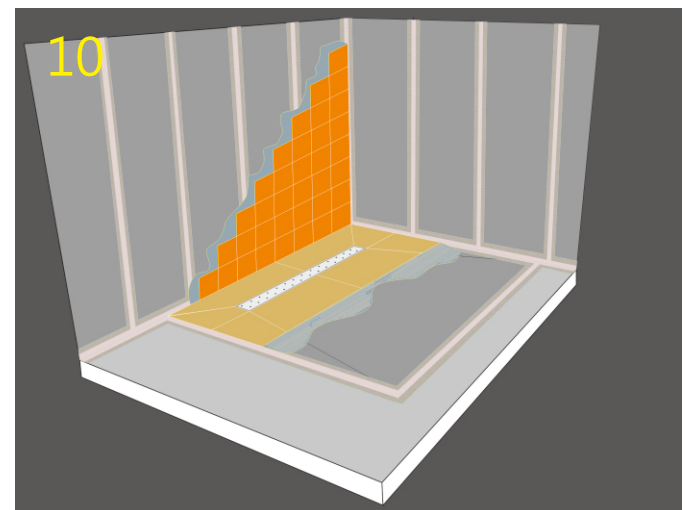
7. The use of stainless steel sheet and floor drain fitting linear floor drain and floor drain plate body better connected



8. All butt joints are sealed with waterproof sealing tape using tile adhesive.

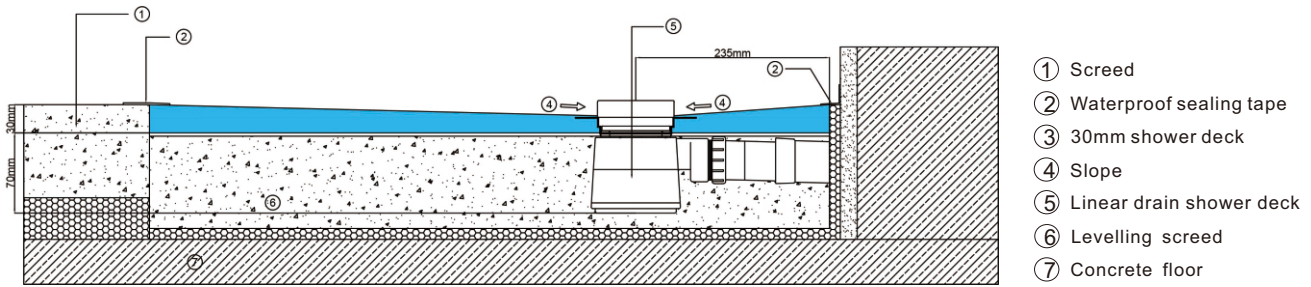


9. Decorative stainless steel floor drain cover is mounted on the floor drain to ensure the smooth body size error-free



10. The linear shower deck is finished and can be tiled.

BOARD Linear Shower deck - Installation height

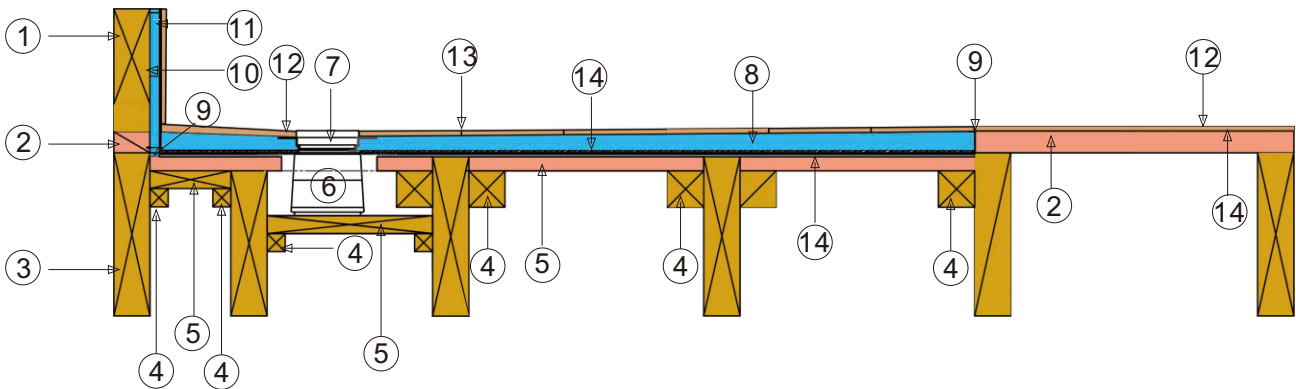


- ① Screed
- ② Waterproof sealing tape
- ③ 30mm shower deck
- ④ Slope
- ⑤ Linear drain shower deck
- ⑥ Levelling screed
- ⑦ Concrete floor

30mm Linear Shower Deck with floor drain

Floor level without tile backer board

For 30mm thickness shower deck



Construction

- 1- Wooden wall construction
- 2- Floor board 18mm
- 3- Floor joist
- 4- Support for PLY board
- 5- PLY board 18mm

Shower Base Components

- 6- Linear Shower drain body
- 7- Stainless steel grate
- 8- Linear shower deck

Sealing & Waterproofing

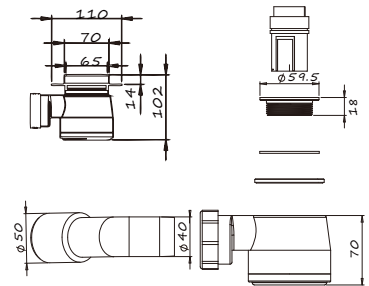
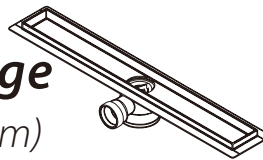
- 9- Sealing tape or Waterproofing membrane
- 10- Tile backer board (6/10/20mm)
- 11- Wash and screw

Tile Coverage

- 12- Tiles
- 13- Flexible grout
- 14- Flexible tile adhesive

linear drain shower deck Drainage

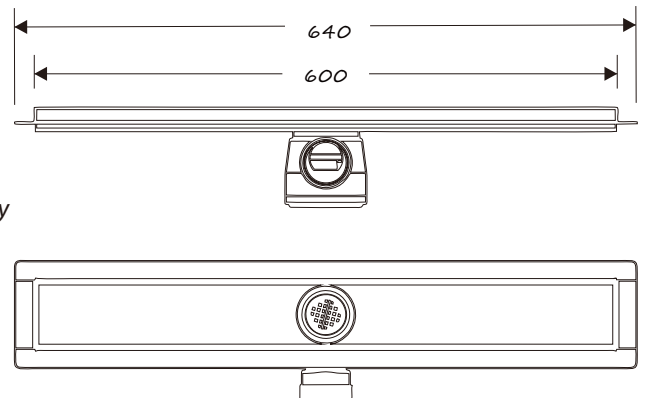
(Unit : mm)



linear drain shower deck drainage is Horizontal shower drain embedded in shower deck.

Features :

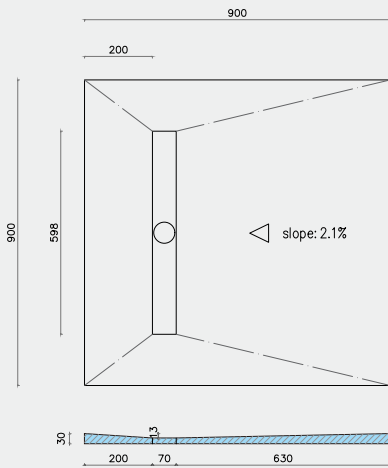
- ◆ 70mm height of the lower main drain body
- ◇ Alternative 40mm & 50mm connector for drain body choice
- ◆ Adjustable height from 6mm to 10mm for tiling
- ◇ 600mm, 700mm and 900mm length are available for Linear stainless steel body
- ◆ Flow rate at 35~40 liters per minute



Linear Drain Shower Deck-Offset Drain

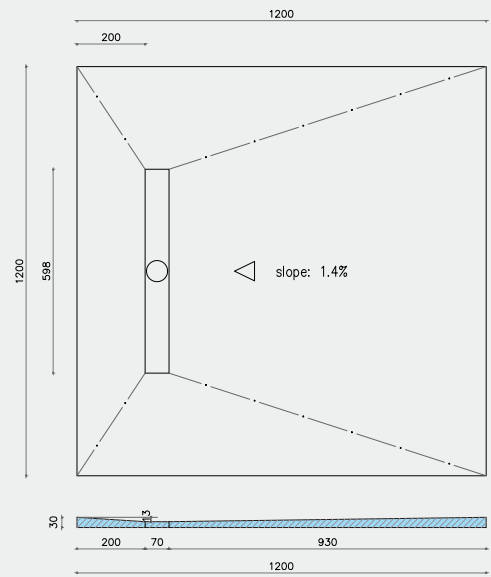
Size: 900x900x30mm

SKU: GIA-WETL001



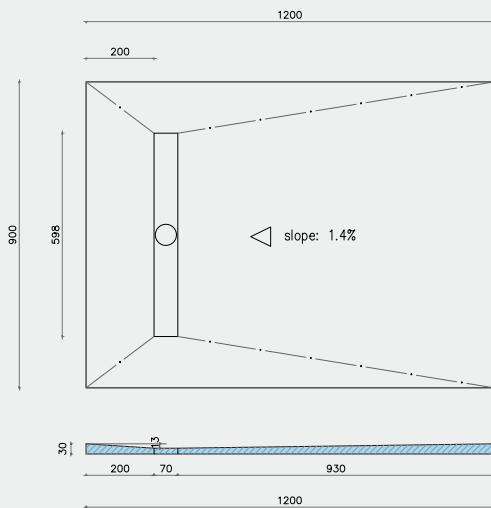
Size: 1200x1200x30mm

SKU: GIA-WETL002



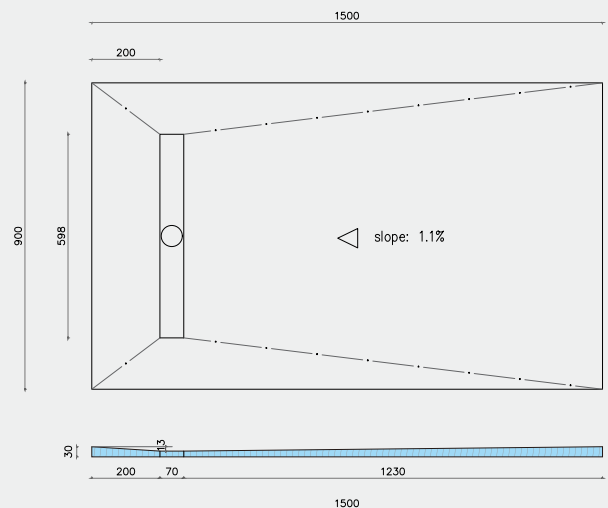
Size: 1200x900x30mm

SKU: GIA-WETL003



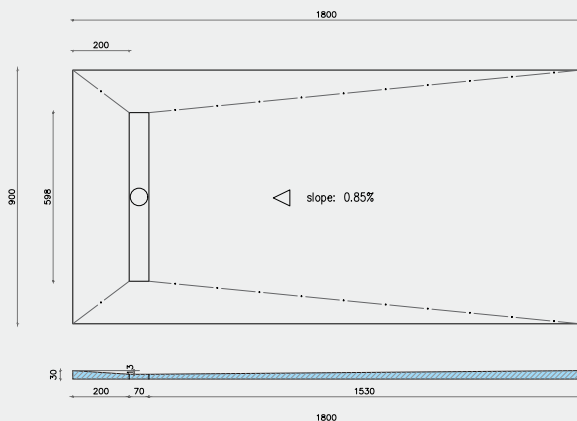
Size: 1500x900x30mm

SKU: GIA-WETL004



Size: 1800x900x30mm

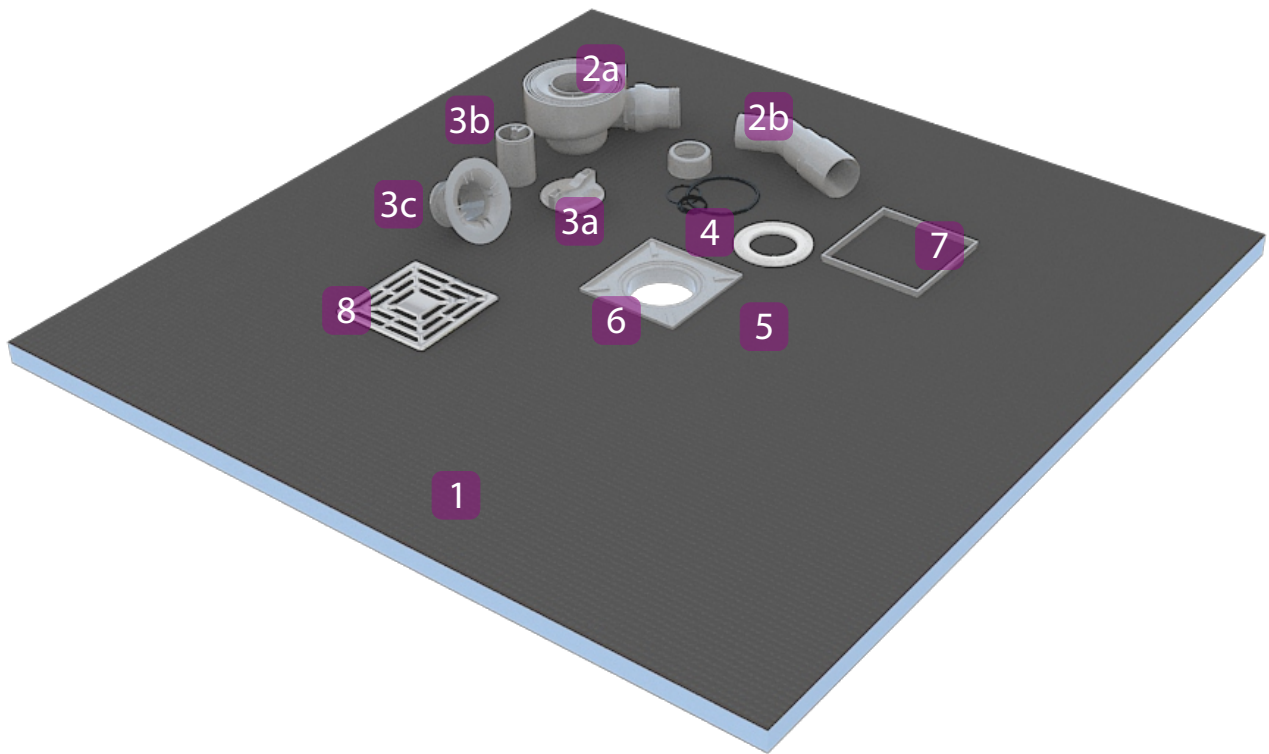
SKU: GIA-WETL005



Square drain shower deck



Square Drain Shower Deck



System Components

1. Shower deck

2a. Drain body

2b. 40mm/50mm connection pipe

3a. Key

3b. Dip-tube

3c. Drain connector

4. O-ring

5. Sealing rubber

6. Plastic Support

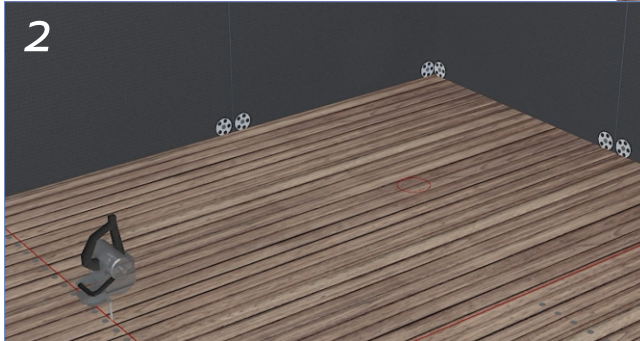
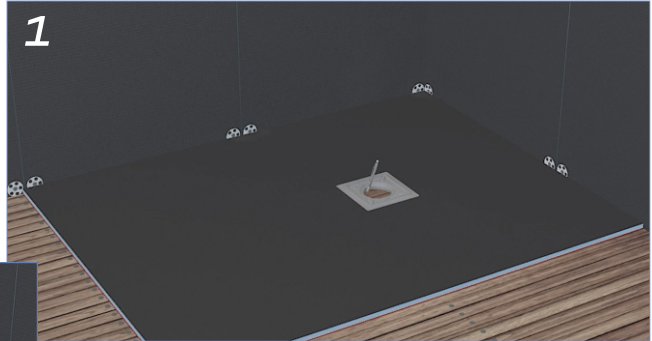
7. Riser Piece

8. Grate

Shower Deck System

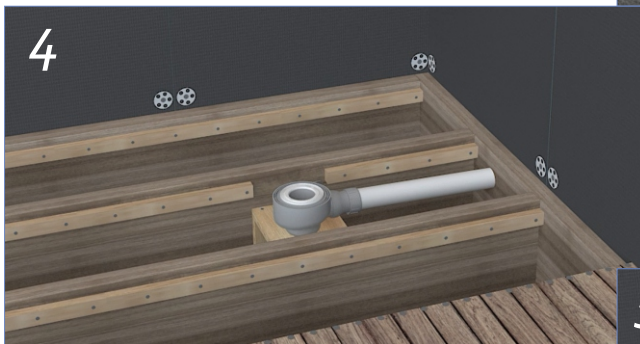
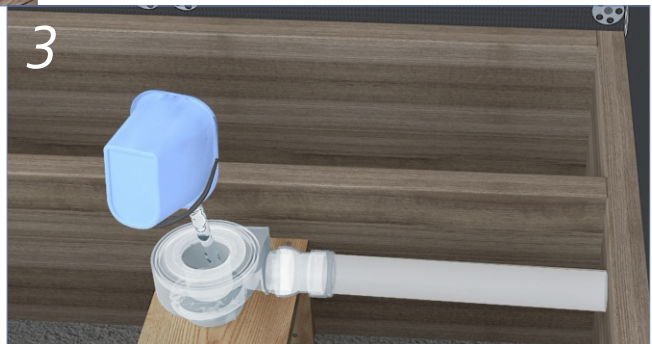
Installation Instruction For Wooden Frame Floor

1. Put shower tray in right position and mark a circle along the hole of drain body.



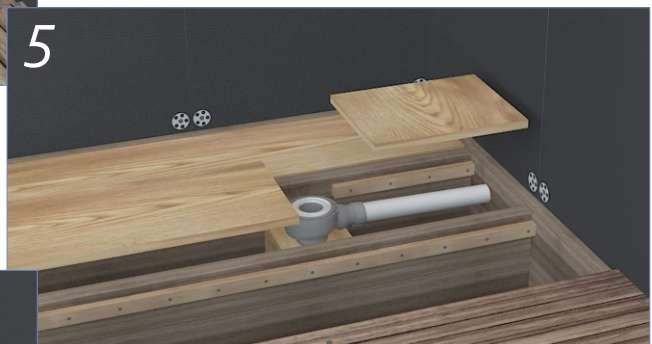
2. Cut and move the floor board to accept the shower deck and drain.

3. Measure and mark where your drain and waste pipe will be fitted. Cut drain shape out of plywood for waste, this should be 10mm bigger than drain body. Connect the drain body to the waste pipe with solvent weld in the usual way. (Always check for leaks before final installation of shower deck).



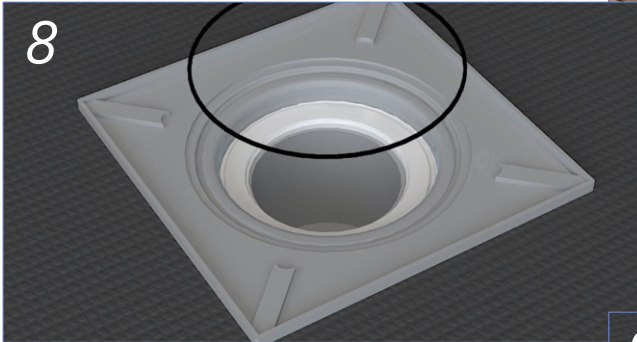
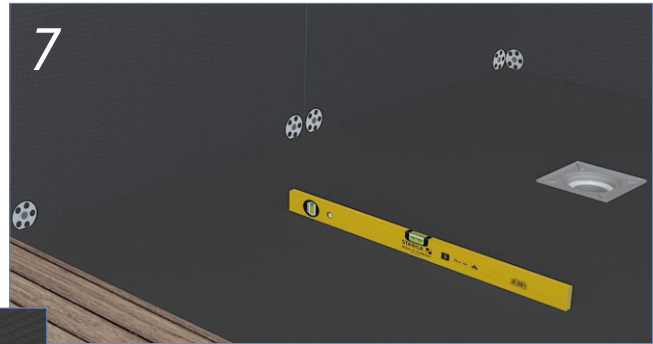
4. Fix a batten below the top of the joists.

5. Once you are satisfied with the drainage, replace the plywood section around the drain and fix all floor boards infills in position.



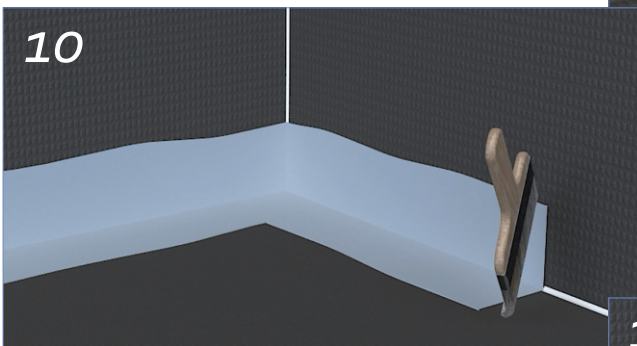
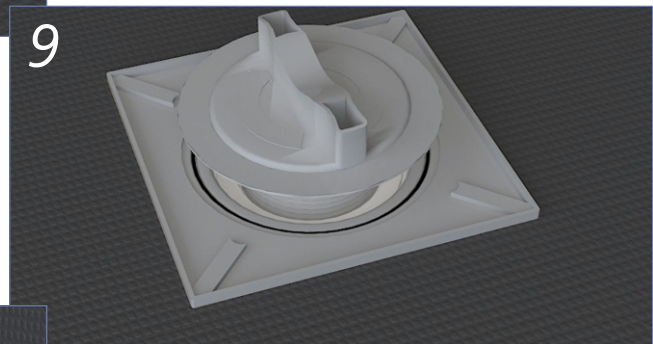
6. Spread the adhesive evenly over the area where the shower deck is to be installed, being carefully to clean away any adhesive on the rim of the trap.

7. Level measurement of the surface is smooth.



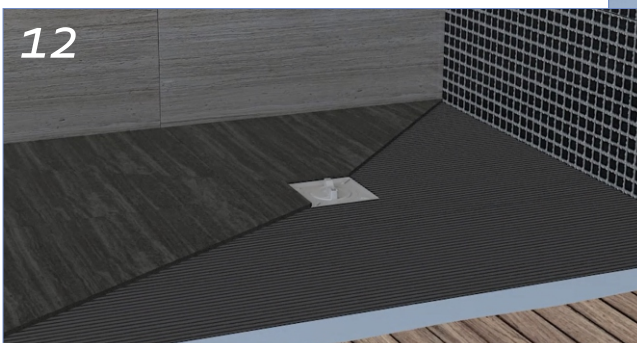
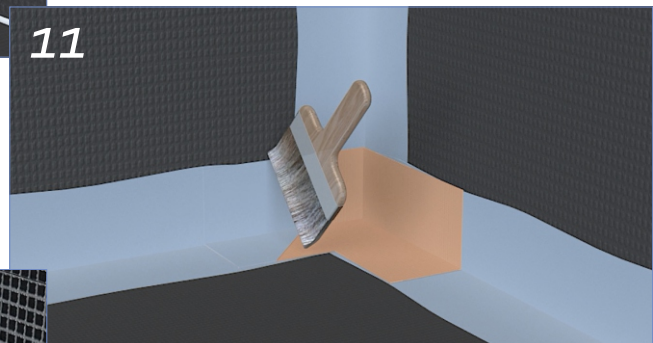
8. Put the O-ring into the groove of plastic support.

9. Fix the drain connector into the drain body with a key fixed.



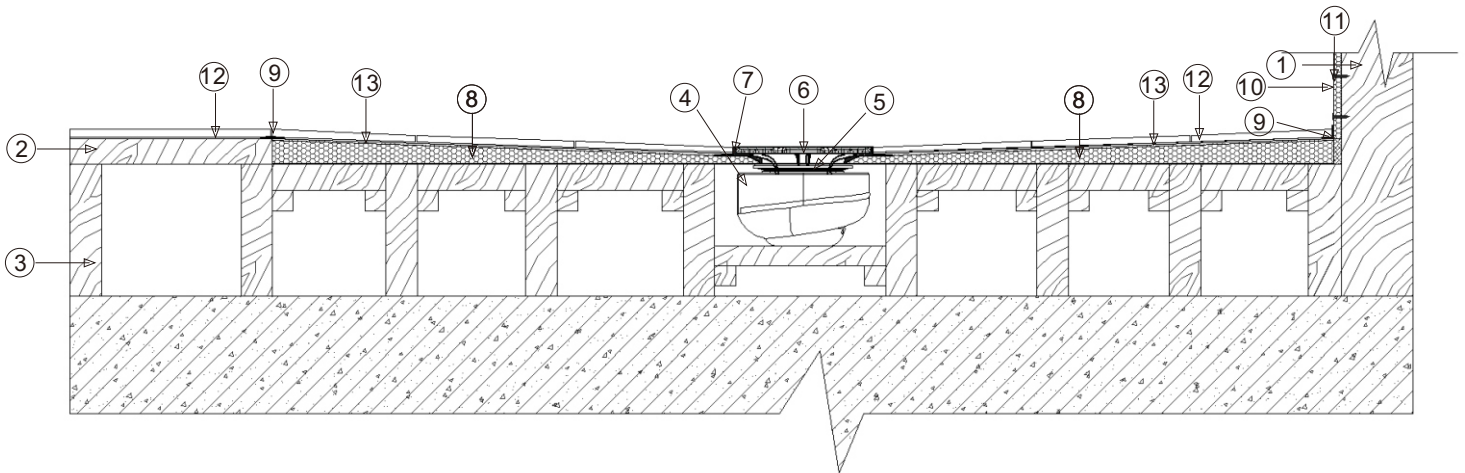
10. Seal all joints (both wall and floor) by special waterproof paint.

11. Seal all corners of shower area by waterproof tape.



12. The shower deck is finished and can be tiled.

INSTALLATION ON TIMBER FLOOR



Construction

- 1- Wooden wall construction
- 2- Floor board 18mm
- 3- Floor jois

Shower Base Components

- 4-Shower drain body
- 5-O-ring
- 6-Stainless steel grate
- 7-Extension frame
- 8-Shower drain

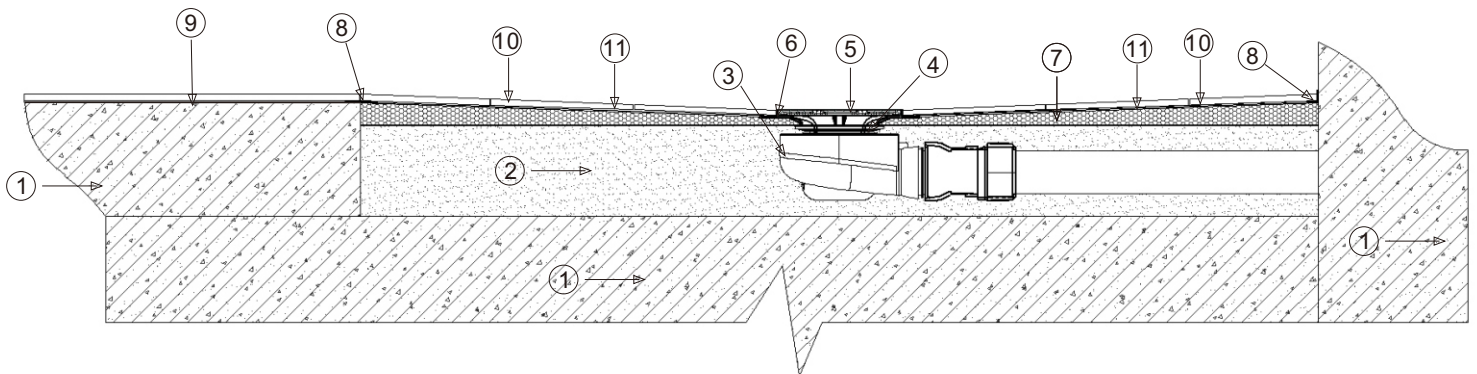
Sealing & Waterproofing

- 9- Sealing tape or Waterproofing membrane
- 10- Tile backer board
- 11- Wash and screw

Tile Coverage

- 12- Tiles
- 13- Flexible grout

INSTALLATION ON CONCRETE FLOOR



Construction

- 1- Concrete base construction
- 2- Wet sand

Shower Base Components

- 3-Shower drain body
- 4-O-ring
- 5-Stainless steel grate
- 6-Extension frame
- 7-Shower drain

Sealing & Waterproofing

- 8- Sealing tape or Waterproofing membrane
- 9- Tile backer board

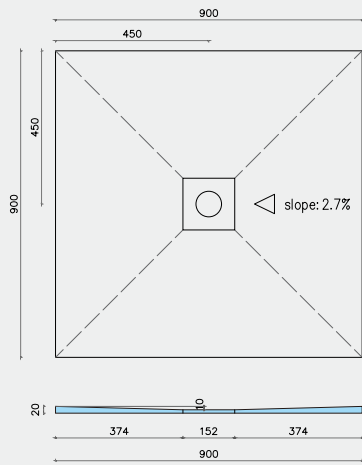
Tile Coverage

- 10- Tiles
- 11- Flexible grout

Square Drain Shower Deck-CenterDrain

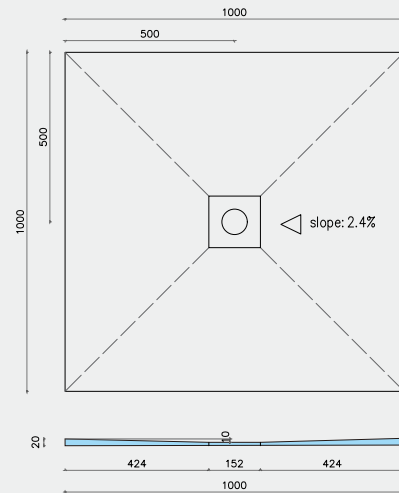
Size: 900x900x20mm

SKU: GIA-WETS001



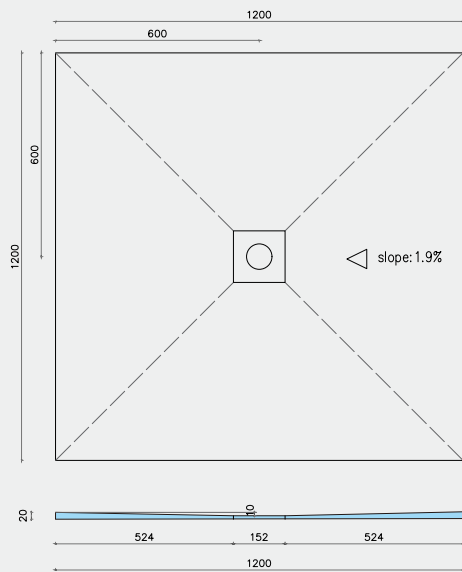
Size: 1000x1000x20mm

SKU: GIA-WETS002



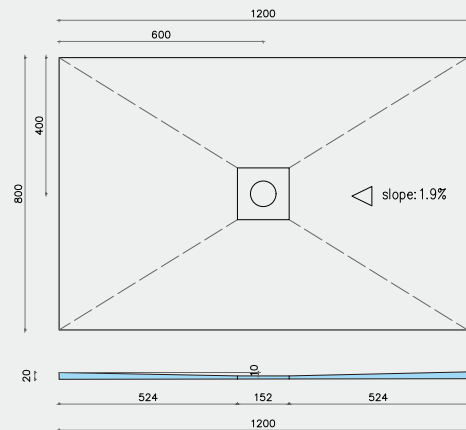
Size: 1200x1200x20mm

SKU: GIA-WETS003



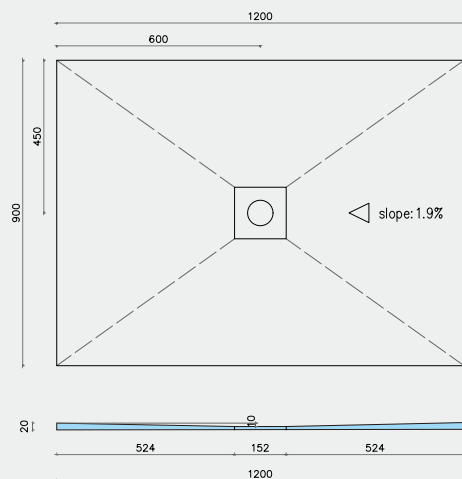
Size: 1200x800x20mm

SKU: GIA-WETS004



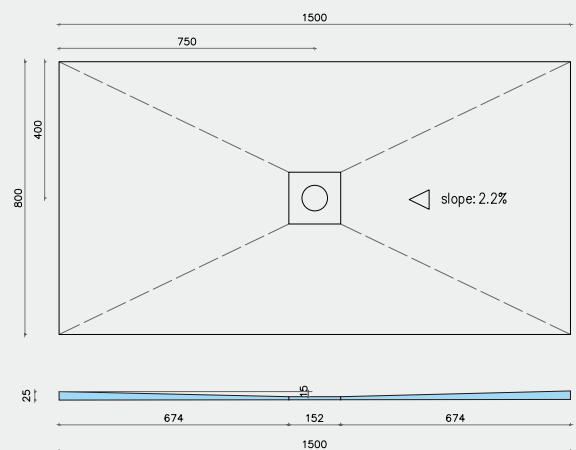
Size: 1200x900x20mm

SKU: GIA-WETS005



Size: 1500x800x25mm

SKU: GIA-WETS006

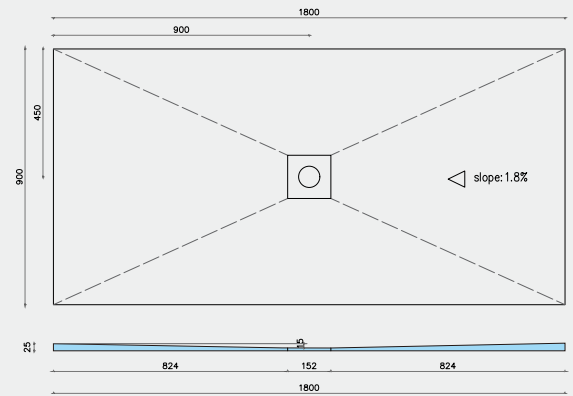
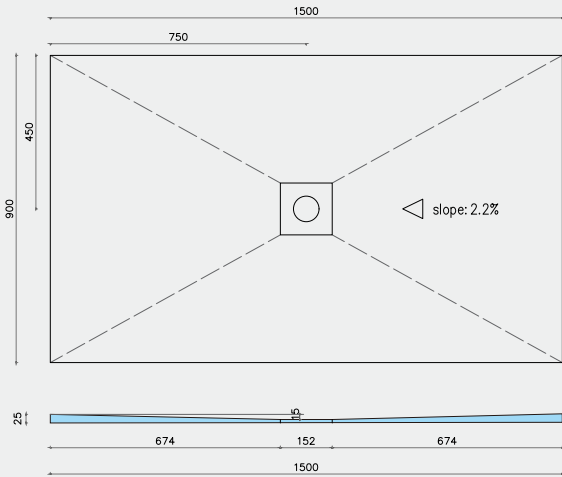


Size: 1500x900x25mm

SKU: GIA-WETS007

Size: 1800x900x25mm

SKU: GIA-TK001



Square Drain Shower Deck Drainage

(Unit : mm)

Horizontal shower drain embedded in Square Drain Shower Deck. Features:

- ◆ 79mm height of the main drain body
- ◇ Alternative 40mm & 50mm connector for drain body
- ◆ Adjustable height from 10mm to 17mm tiles.
- ◇ Extension frame and drain grill at 115mm
- ◆ Flow rate at 35 liters per minute
- ◇ Main drain body material is PP, above the main drain body is ABS

