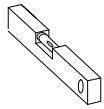


ELLA Fixing Instruction

I、First: Important notice

1. Please assemble according to our instruction, otherwise the cabinet will be not stable.
2. Please check accessory quantities after you open the carton to ensure all fittings are included.

II、Second: Tools



(A)



(B)



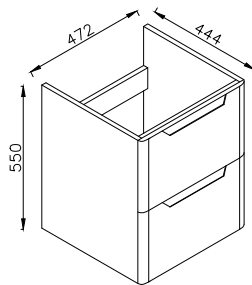
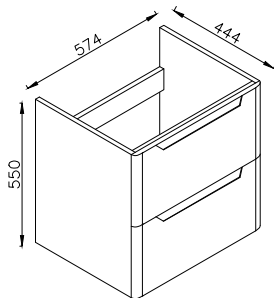
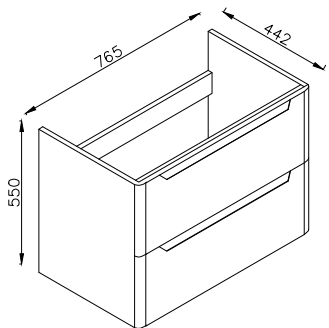
(C)



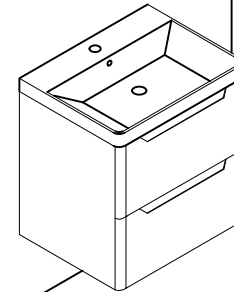
(D)

A. Spirit level B. Cross head screwdriver C. Tape measure D. pencil

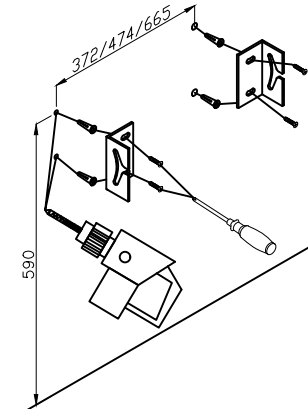
ELLA WALL HUNG UNITS



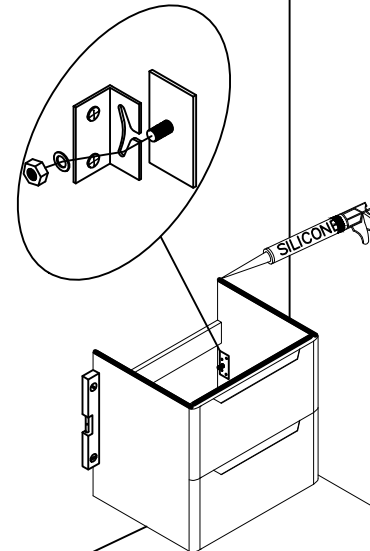
1



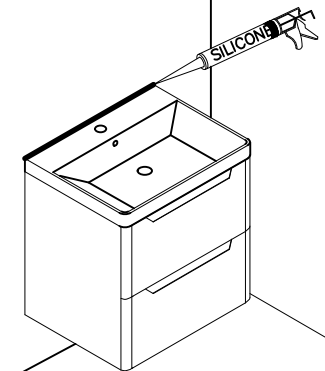
2



3



4



Ella Wall Hung INSTRUCTIONS

1. Measure and screw the mounting bracket into the wall at your desired height.

2. Locate the mounting bolt inside the furniture and slide into the wall mounting bracket.

3. Using a level to adjust the unit, tighten the mounting bolt higher or lower.

Do not over-tighten.

