



BY CAVALIER BATHROOMS

Equate 9320 EXPOSED ROUND BAR SHOWER VALVE - CHROME

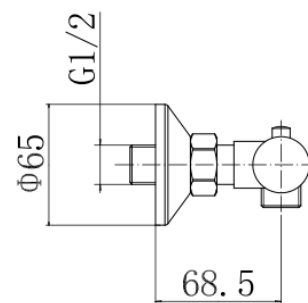
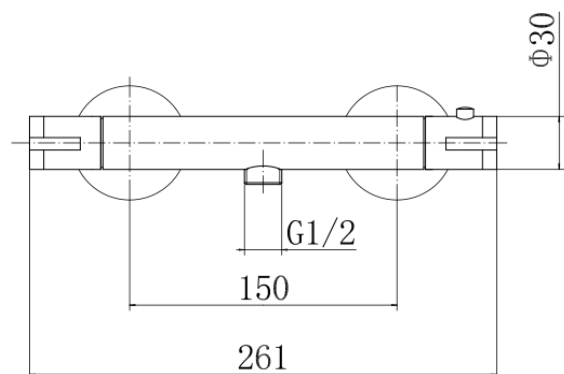
PRODUCT SPECIFICATION

Product Code: 9320
 Finish: Chrome
 Product Type: Exposed Round Bar Shower Valve
 Cartridge Type: Thermostatic Cartridge and 1/2" Quarter Turn Cartridge
 Inlet Connections: G 3/4"
 Outlet Connections: G 1/2"
 Fitting Dimensions: 150mm inlet centers
 Construction: Body: Brass, handles: ABS
 Gross Weight (kg): 0.802



ADDITIONAL INFORMATION

- Dual Control: Flow and temperature are controlled separately giving accurate control of both
- Thermostatic cartridge maintains showering temperature to +/- 2c giving a stable outlet temperature
- Automatic shut-off in the event of cold water supply failure, to prevent scalding
- Temperature factory set to a 38°C
- 10 year guarantee*



WORKING PRESSURES (bar)

Min Pressure	Max Pressure	Best Performance
0.5 bar	5 bar	3 bar

FLOW RATES (litres per minute)

0.5 Bar	1 Bar	3 Bar
5.8	8.3	14.5

* For full details of our guarantee please refer to our website. Our products are backed by a 10 year guarantee, this is only valid to customers who complete and submit the online Niagara® Guarantee Registration Form within 30 days of installation. Please note that products with finishes other than Chrome are guaranteed for 2 years only. To register and activate your guarantee visit: www.cavalierbathrooms.co.uk

Products are supplied with full installation instructions and fixings. All measurements in mm and are nominal.