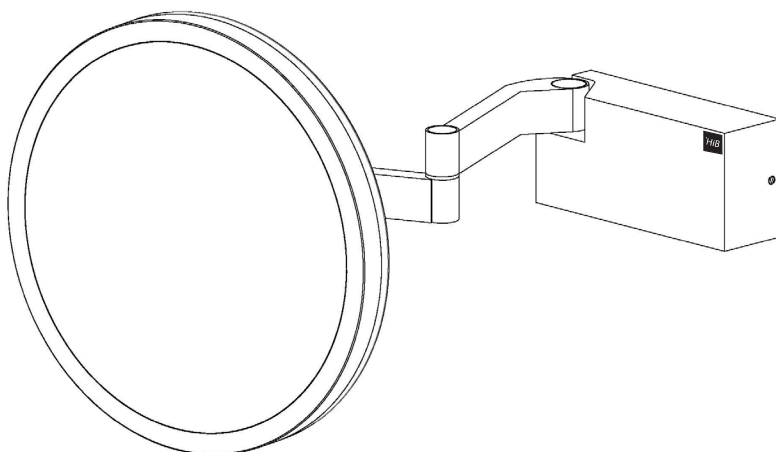


Fixing Instructions

Cirque: Art No. 21700



Thank you for purchasing this HiB product.

Please read through these instructions carefully and refer back to them during installation to ensure that your product is fitted safely and that it retains its high quality finish.

Please retain this leaflet for future reference.

Before drilling, ensure there are no hidden cables or pipes in the wall and that the domestic mains supply to which the mirror is to be connected is turned off.

These products are suitable for installation in zones: 2 & Outside Zones

Please see Figure 4 on the back page for details.

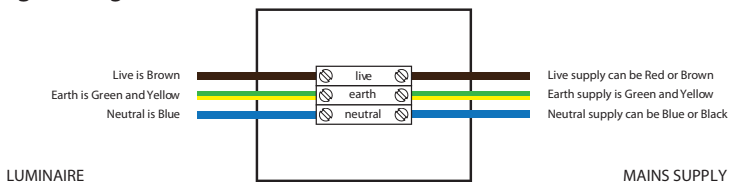
Installation

1. Position the magnifying mirror in a suitable location (according to the zonal diagram overleaf, Figure 4), ensuring that the domestic electrical mains supply is within reach of the electrical entry point of the product. **Do not position in direct sunlight as the magnifying effect of the mirror may pose a fire hazard.**
2. Remove the wall bracket from the base of the mirror via the fixing(s) on the base of the unit (see mounting diagram, figures 2).
3. Using the wall bracket as a guide, carefully mark the required drilling locations using a soft pencil, ensuring it is level. Remove the wall bracket. **Please ensure all marked drill positions accurately match up with the fixing points of the wall bracket before drilling.**
4. Using a suitable drill bit, drill holes in the marked positions to a suitable depth. If drilling through tile, use a ceramic drill bit.
5. Insert wall plugs level with the surface of the wall. If fitting to a tiled surface, wall plugs should be inserted below the tile surface to avoid cracking. *NB. For plasterboard walls, specialist fixings should be purchased, available from any DIY or hardware store.*
6. Fix wall bracket into wall plugs.
7. Connect the domestic mains supply to the terminal box according to the wiring diagram below (figure 1).
8. Place the mirror onto the wall bracket and secure into place using the fixing(s) on the mirror base – take care not to trap wiring when assembling the mirror onto the wall bracket.
9. Switch on the domestic electrical mains supply to the mirror.

Operation Instructions

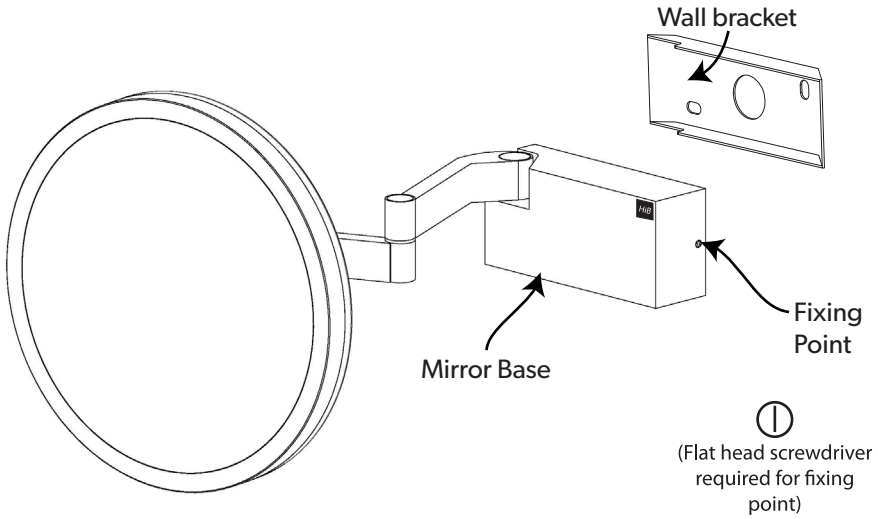
Cirque - To turn illumination on, press the touch switch on the underside of the mag mirror. To colour temperature change, hold the switch to start the colour temperature cycle and release when desired colour is displayed. To turn the illumination off, simply press the touch switch. The colour temperature set will remain as the set colour.

Wiring Diagram (Fig. 1)



Fixing Instructions

Mounting Diagram
Cirque (Fig. 2)





This product is suitable for installation in zones: 2 & Outside Zones

All installations must comply with guidelines which are based on a zonal concept. The diagram above illustrates this concept and must be followed to ensure the safe installation of electrical appliances in the bathroom. These regulations apply to domestic installations only. Installations must be made in accordance with the current IEE wiring regulations and relevant building regulations. **HiB recommends that all electrical bathroom products should only be fitted by a suitably qualified, Part P registered electrician.**

Electrical Safety Information

HiB recommends that all electrical bathroom products should only be fitted by a suitably qualified, Part P registered electrician in accordance with current IEE regulations. Ensure mains power supply is switched off before starting installation. Before drilling, ensure there are no hidden cables or pipes in the wall.

Care Instructions

Do not use abrasives or solvents when cleaning this product.
Wipe off all water spillages as soon as possible using a soft, damp cloth.

Aftercare Service

In the unlikely event that this product should fail please contact HiB customer services, contact detail shown below.



WEEE compliance

Must not be mixed with general household waste.

T: +44 (0)20 8441 0352 F: +44 (0)20 8441 0219 E: sales@hib.co.uk hib.co.uk

Building 3, North London Business Park, Oakleigh Road South, New Southgate, London. N11 1GN

©HiB Copyright: No part of this document may be reprinted or duplicated without HiB consent. All sizes and measurements are approximate, but we do try and make sure they are as accurate as possible. In the interest of continuous product development, HiB reserves the right to alter specifications as necessary. E & OE.