

Bi-fold Door

ASSEMBLY GUIDE

IMPORTANT

- 1.. The cubicle can be constructed either way up, for left or right hand opening.
- 2.. These instruction and list of parts assume that installation is done against solid or tiled walls. Hollow or "Stud - partition" walls will require alternate fixings. Please consult a hardware supplier for the correct type. It may also be necessary to consult your tiling supplier about the correct method for drilling your tiles.
- 3.. Please check this product for damage prior to starting the installation. No claims can be made after the products has been fitted, or after fitting has commenced.
- 4.. This is a 2 person installation.
- 5.. Please note the minimum and maximum adjustment for this product are based on perfectly plumb walls.

Tools Required *Please note hand tools **NOT** supplied.*



Drill



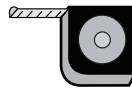
6mm Masonry Drill
3.2mm HSS Drill



Spirit Level



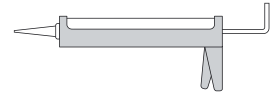
Pencil



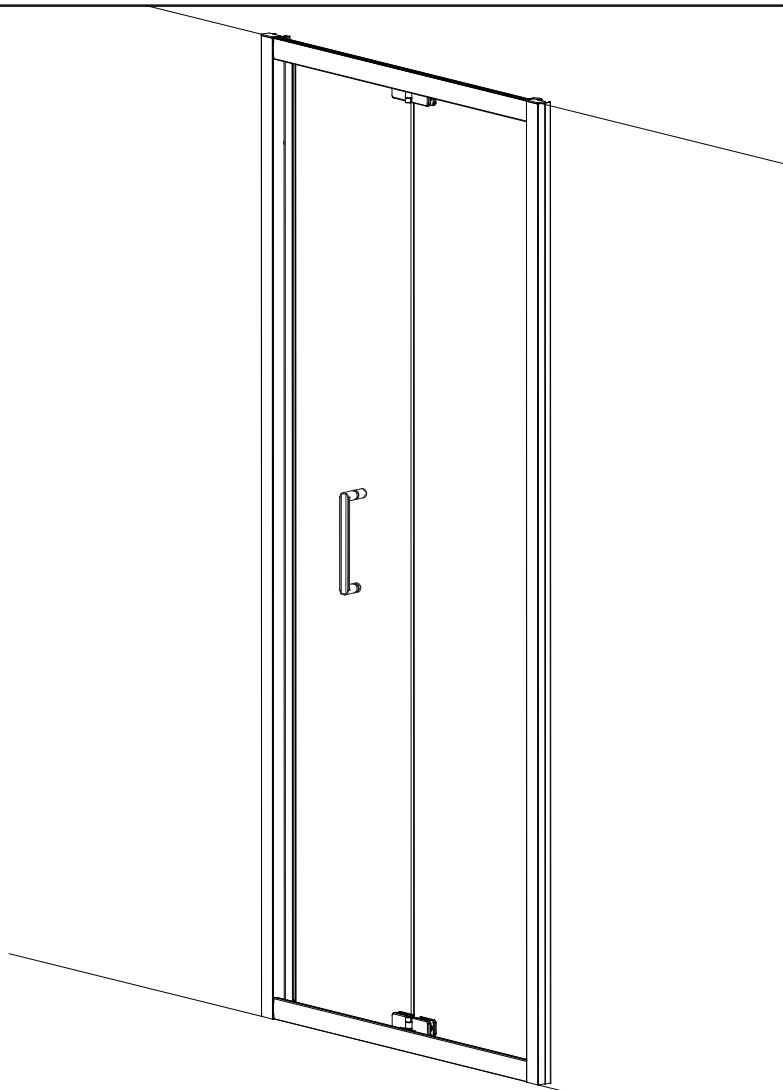
Tape Measure



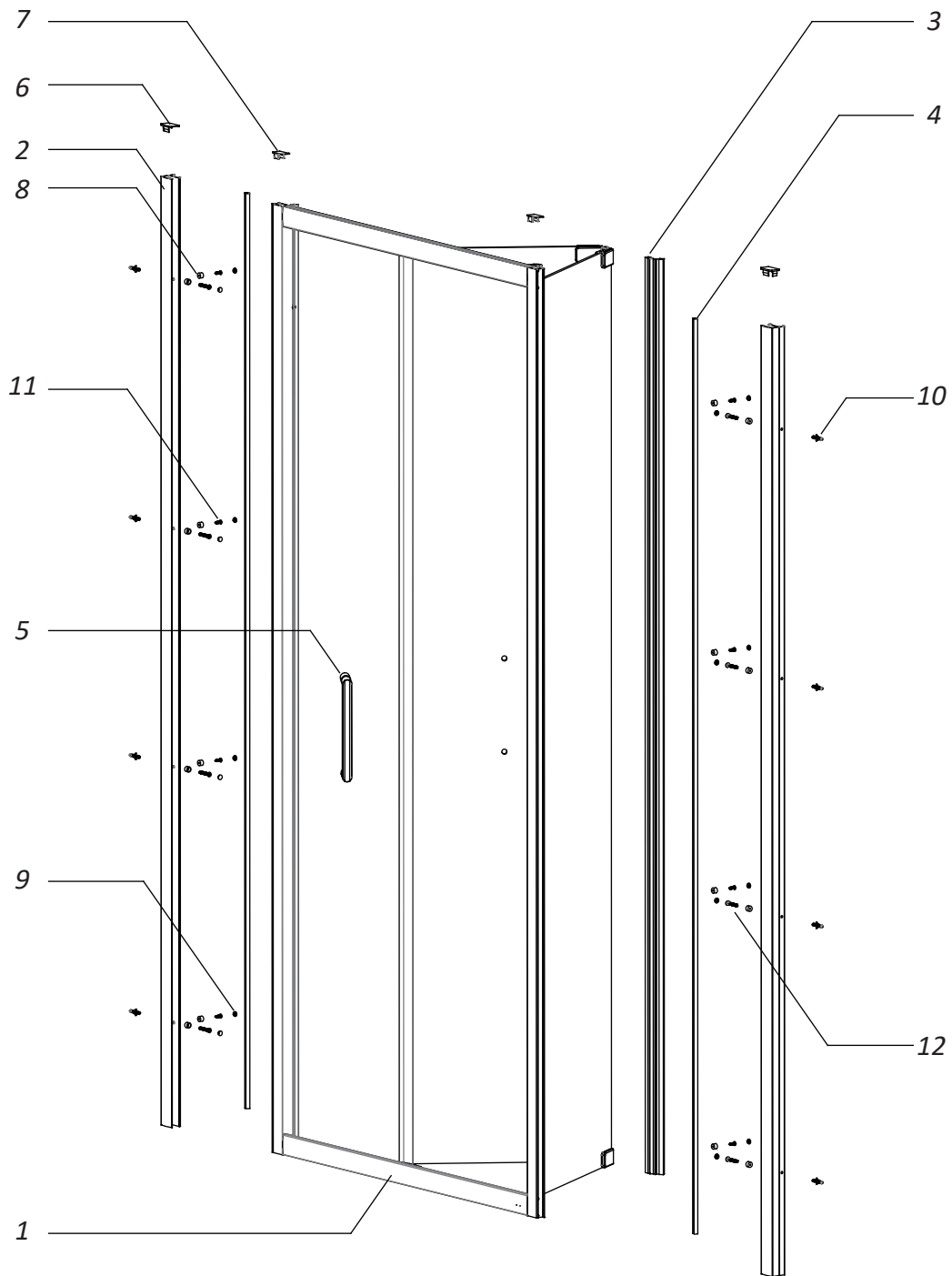
PH2 TYPE
Screwdriver



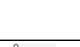











Sealant Gun



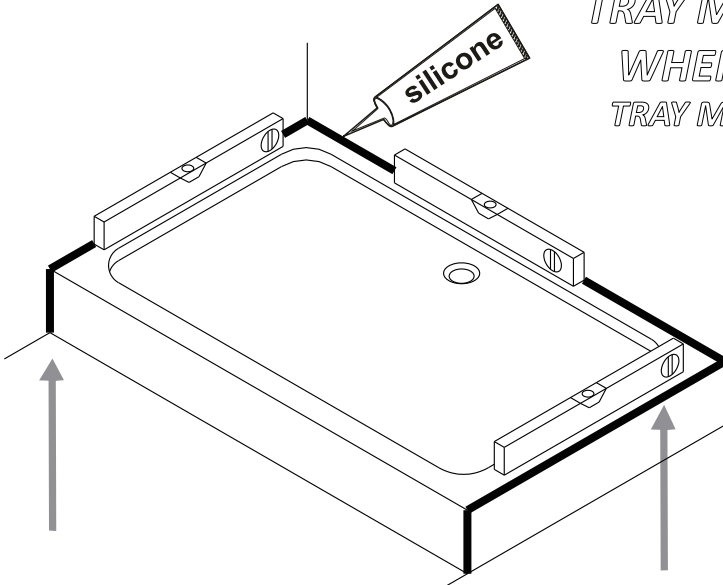
EXPLODED VIEW AND PARTS LIST



Part List

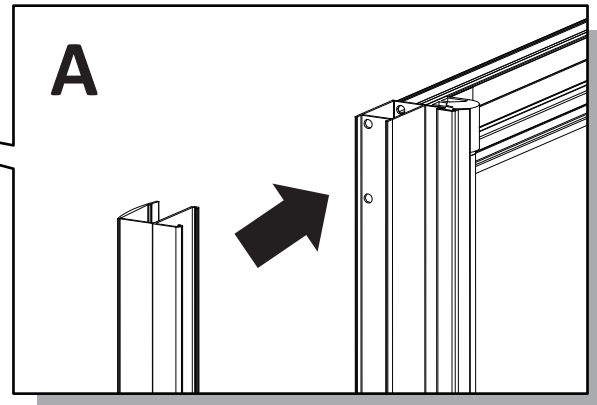
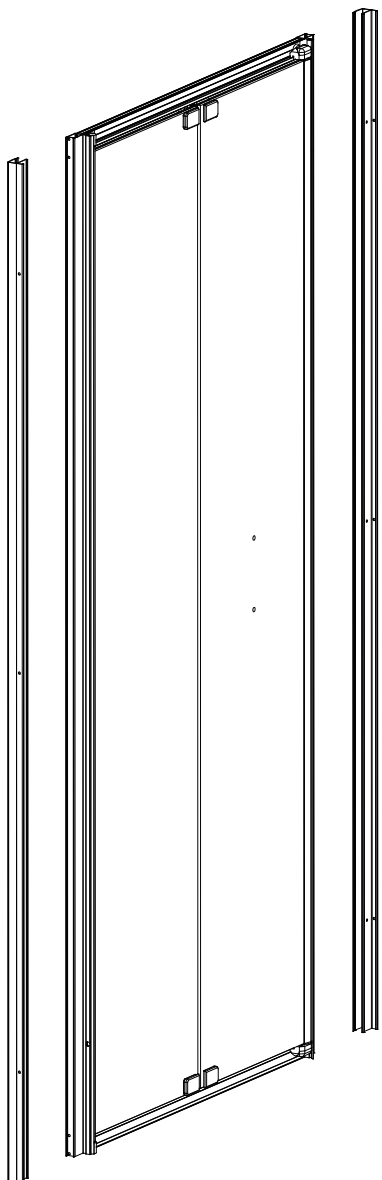
SN	CODE	Description	Qty	Image	SN	CODE	Description	Qty	Image
1	N/M	Door Panel	1		7	S1PS05	Upright Profile Cap	2	
2	ALU8654	Wall channel	2		8	S1PS07	Screw Cup	16	
3	301AC-3	Joining Seal	1		9	S1PS08	Screw Cap	16	
4	R1021F-2	Upright Seal	2		10	SBLTL001	Wall Plug	8	
5	S1HW27	182 Handle	1		11	SBLTL003	ST3.5x12 Tapping Screw	8	
6	S1PS04	Wall channel Cap - LH/RH	2		12	SBLTL013	ST4.0x30 Tapping Screw	8	

*TRAY MUST BE SEALED FULLY AROUND
WHERE THE TRAY MEETS THE WALL
TRAY MUST BE 100% LEVEL IN ALL DIRECTIONS*



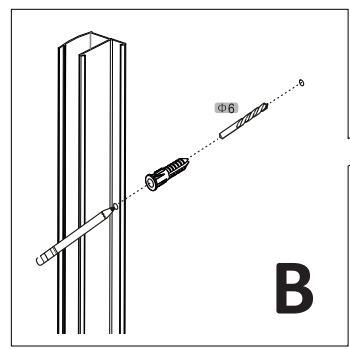
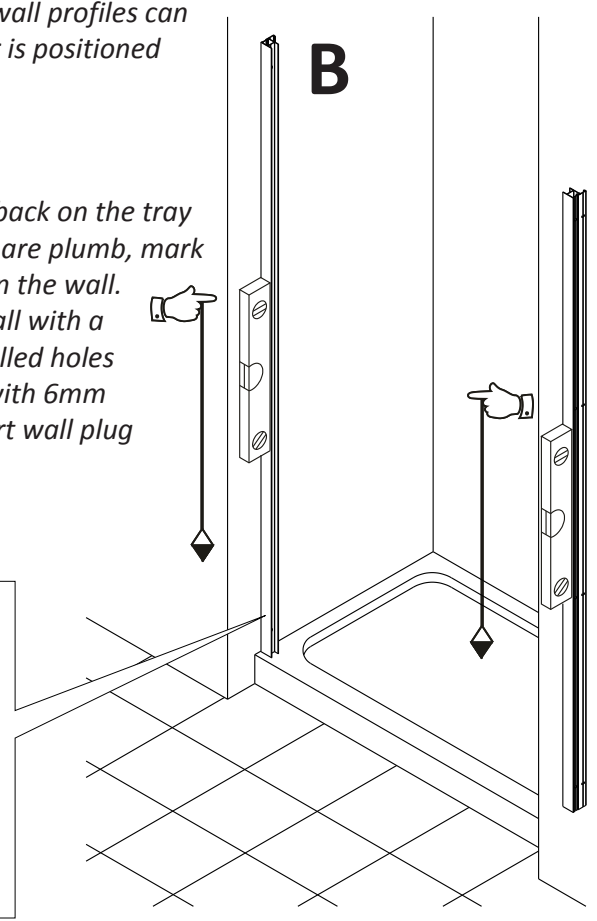
**TRAY MUST BE 100% LEVEL IN ALL DIRECTIONS
TRAY MUST BE SEALED FULLY AROUND WHERE
THE TRAY MEETS THE WALL**

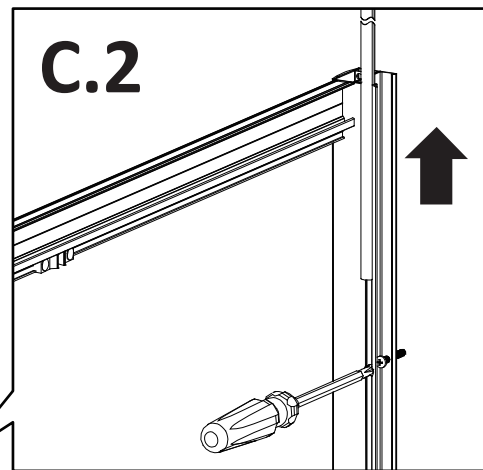
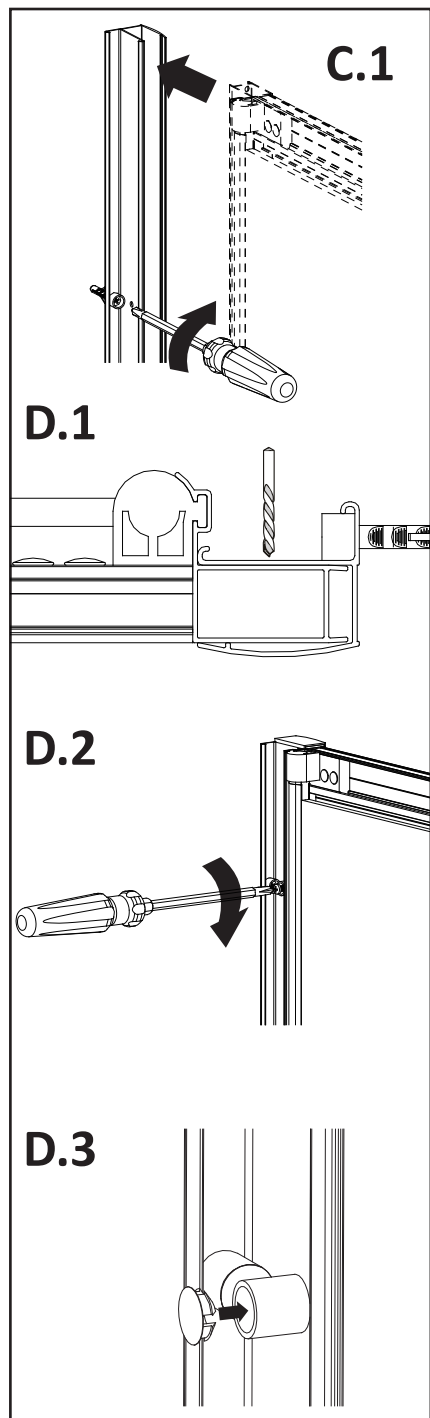
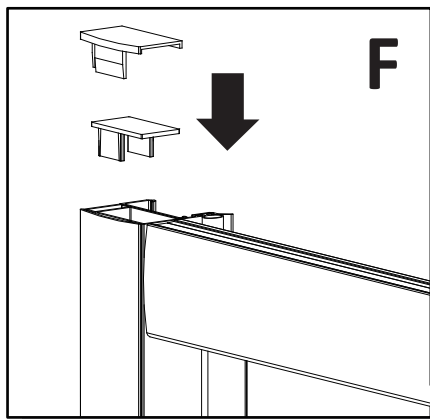
Ensure the shower tray is level in all directions and is properly sealed to the wall. The wall must be tiled down to the top edge of the tray. Do not angle out bottom tile.



Step A
Position the assembled door panel (with wall profile fully pushed into frame) onto the tray and decide on the step in from the edge of the tray to wall profiles. The wall profiles can be adjusted until the door is positioned correctly on the tray.

Step B
*Position the wall profiles back on the tray ensuring the wall profiles are plumb, mark the position of the holes in the wall. Do this by marking the wall with a pencil through the pre-drilled holes in the wall profiles. Drill with 6mm masonry drill bit and insert wall plug **SBLTL001**.*



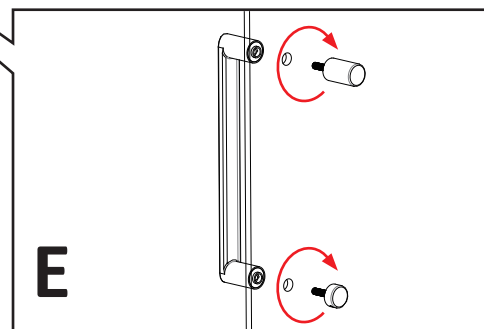


Step C

Fix the wall channel with screw cover caps **S1PS07** and screws **SBLTL013** to wall as **C.1** shown. Then slot the door with the other wall channel into the fixed wall channel. When the door is positioned correctly, take the bubble seal **R1021F-2** out and fix the wall channel through the pre-drill holes in the vertical prifle using the cover caps **S1PS07** and the screws **SBLTL013** as **C.2** shown. Then replace the bubble seal **R1021F**.

Step D

Drill 4 equally spaced holes with 3mm drill bit through the wall channel and frame. Fix the frame to the wall channel with screw cover caps **S1PS07** and screw **SBLTL003**. Then put the screw cover caps **S1PS08** on.

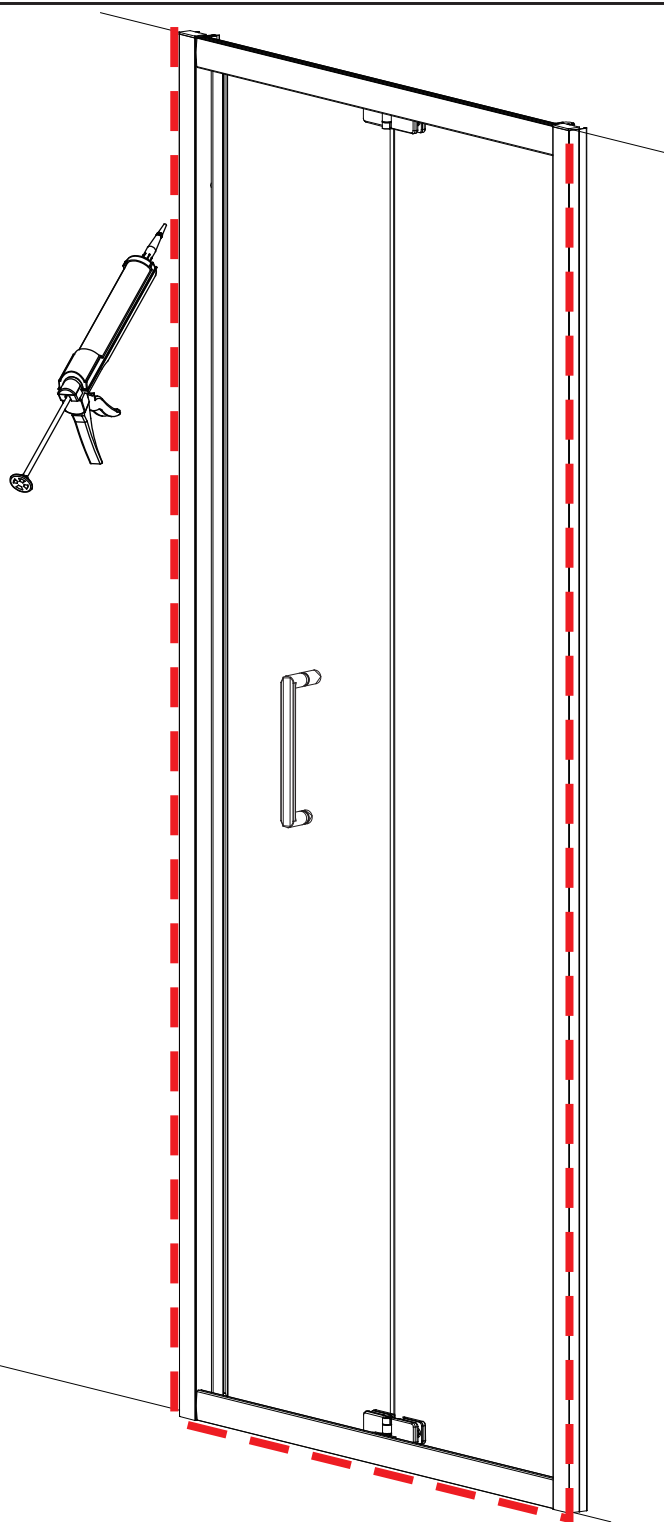


Step E

Assemble the handle **S1WH27** onto glass panel.

Step F

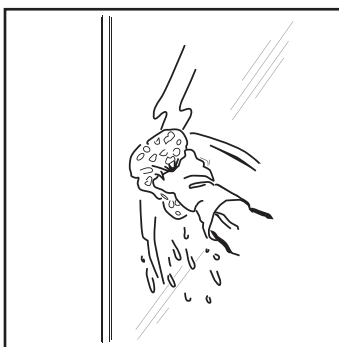
Put the upright profile caps **S1PS05** and wall channel caps **S1PS04L/R** on.



24 HRS



DO NOT USE THE ENCLOSURE FOR 24 HOURS AFTER SEALING



Step H

Applying Silicone Sealant And Cleaning

Seal from the top of the wall channel to the bottom on the **INSIDE** and **Outside** between the wall channel and the wall, and between the bottom profile and shower tray as shown. Wash down with clean warm water and a soft clean cloth or sponge. Please do not use bleach, alkaline or acid-based, aggressive or abrasive cleaning products.