

# Technical Datasheet

Product Code: SY-CTB6258



Product Description: Synergy Libi Counter Top Basin 585mm White

## Specification

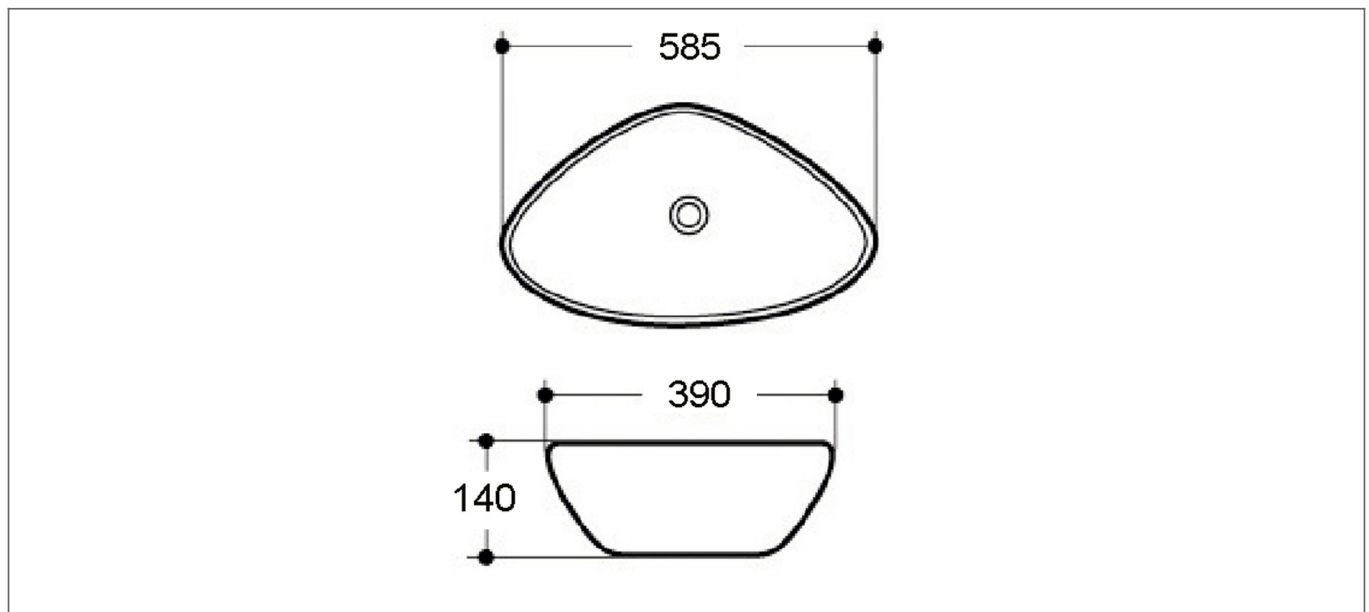
Product Guarantee:	Lifetime
Projection (mm):	390
Material:	Ceramic
Style:	Contemporary
Shape:	Round
Number Of Tap Holes:	0



## Key Features

- Create an aesthetic that is part of the constantly evolving contemporary style of present day
- The natural raw materials make ceramic hard wearing, scratch-proof & resistant to limescale
- Space saving design ideal for countertop mounting
- Ideal design for extended mono basin mixer use
- Other styles & sizes are available too choose from

## Technical Drawing



Dimensions: All measurements are in millimetres and are subject to normal manufacturing variations.

Due to a continuing development programme to improve design and performance, we reserve all rights to vary specifications without prior notice. Please note, all accessories are for photographic purposes only.