

Double Door Quadrant

ASSEMBLY GUIDE

IMPORTANT

- 1.. The cubicle can be constructed either way up, for left or right hand opening.
- 2.. These instruction and list of parts assume that installation is done against solid or tiled walls. Hollow or "Stud - partition" walls will require alternate fixings. Please consult a hardware supplier for the correct type. It may also be necessary to consult your tiling supplier about the correct method for drilling your tiles.
- 3.. Please check this product for damage prior to starting the installation. No claims can be made after the products has been fitted, or after fitting has commenced.
- 4.. This is a 2 person installation.
- 5.. Please note the minimum and maximum adjustment for this product are based on perfectly plumb walls.

Tools Required *Please note hand tools **NOT** supplied.*



Drill



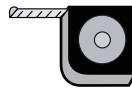
7mm Masonry Drill
3.2mm HSS Drill



Spirit Level



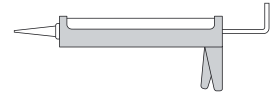
Pencil



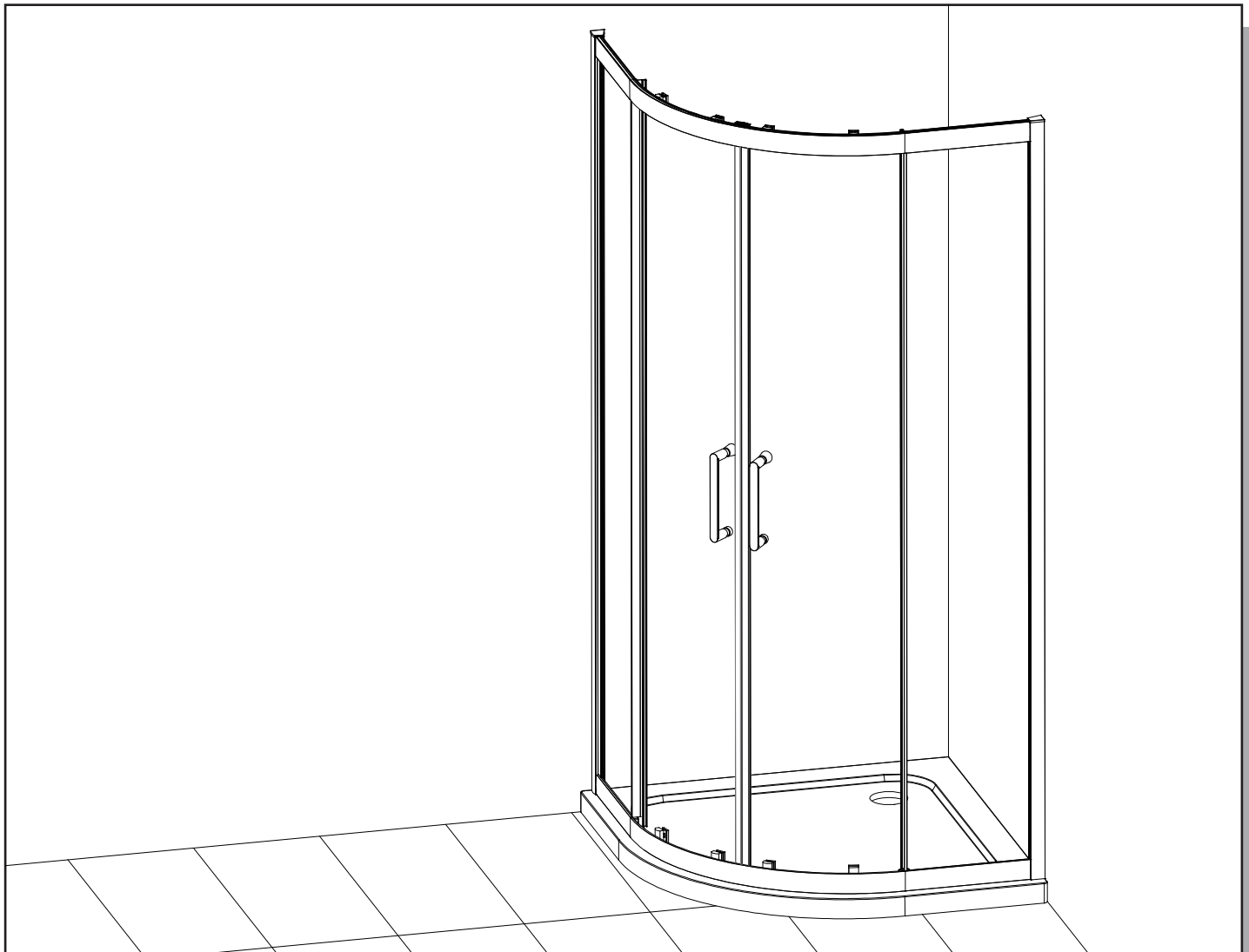
Tape Measure



PH2 TYPE
Screwdriver

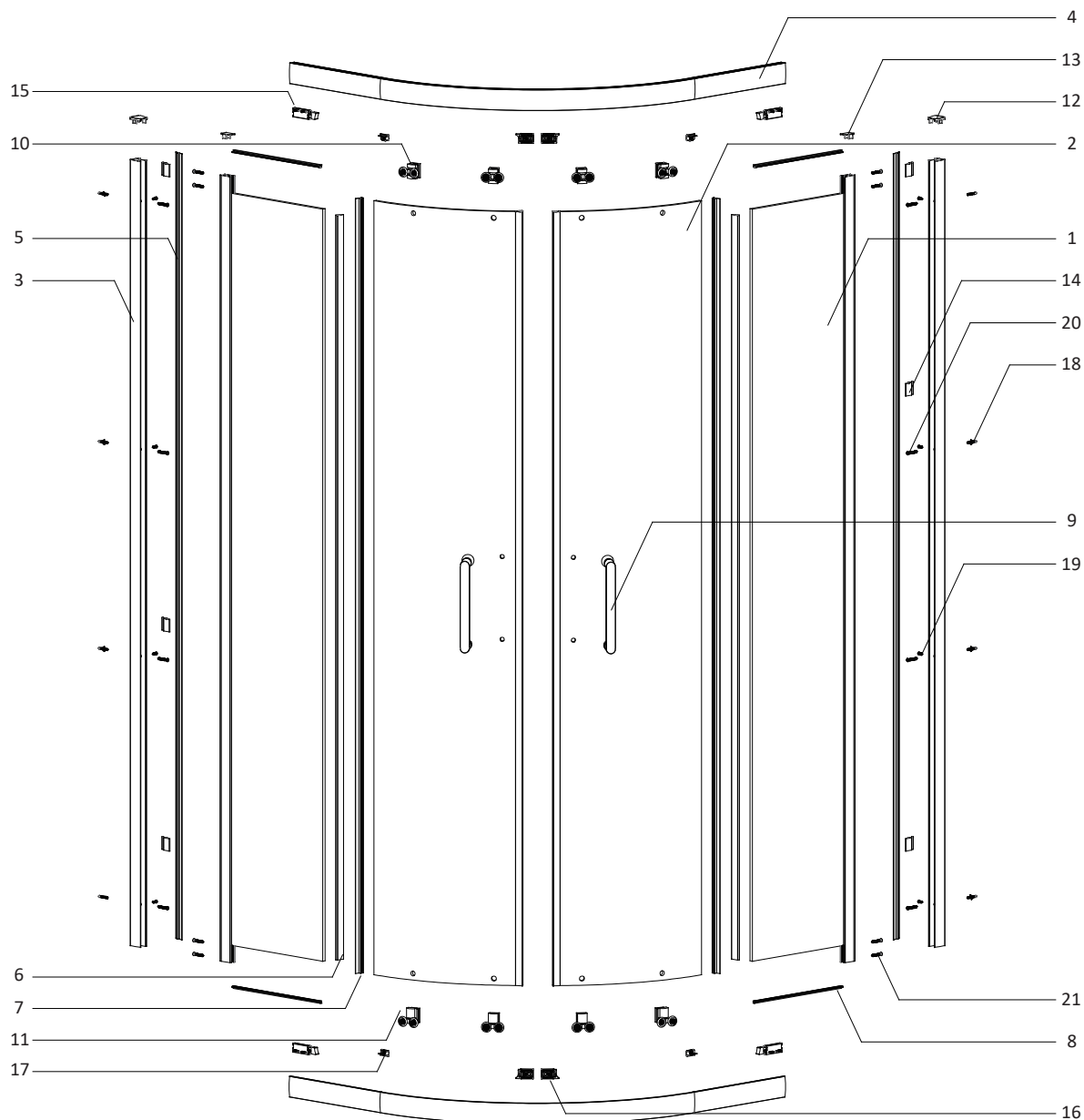









Sealant Gun















Double Door Quadrant

EXPLODED VIEW AND PARTS LIST



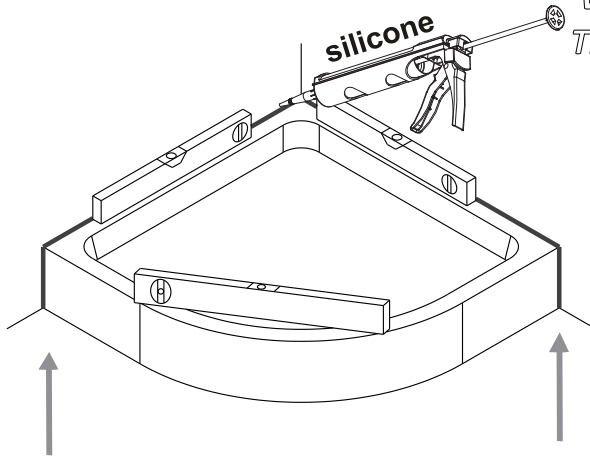
SN	Code	Description	Qty	Image
1	N/M	Fixed Panel	2	
2	N/M	Moving Panel	2	
3	ALU8654	Wall Channel	2	
4	ALU14497-T	Top Profile	1	
	ALU14497-B	Bottom Profile	1	
5	ALU13660	Cover Profile	2	
6	304A-8-10-1	Flipper Seal for Fixed Panel	2	
7	304A-8-10-2	Flipper Seal for Moving Panel	2	
8	T8GASK	Gasket	4	
9	S1HW30	#12012 Handle	2	
10	S1HW32	Top Roller	4	
11	S1HW33	Bottom Roller	4	
12	S1PS21-L/R	Wall Channel Cap L/R	2	

SN	Code	Description	Qty	Image
13	S1PS05	Upright Profile Cap	2	
14	S1PS20	Cover Profile Clip	8	
15	S1PS37-L/R	Soft Close Piston	4	
	SBLTL002	ST 3.5 x 8 Screw	8	
16	S1PS34	Roller Stopper	8	
	SBLTL002	ST 3.5 x 8 Screw	4	
17	S1PS35-L/R	Glass clip L/R	4	
	SBLTL036	ST 3.5 x 10 Screw	4	
18	SBLTL001	Wall Plug	8	
19	SBLTL003	ST 3.5 x 12 Screw	8	
20	SBLTL013	ST 4 x 30 Screw	8	
21	SBLTL014	ST 4 x 45 Screw	8	

TRAY MUST BE SEALED FULLY AROUND

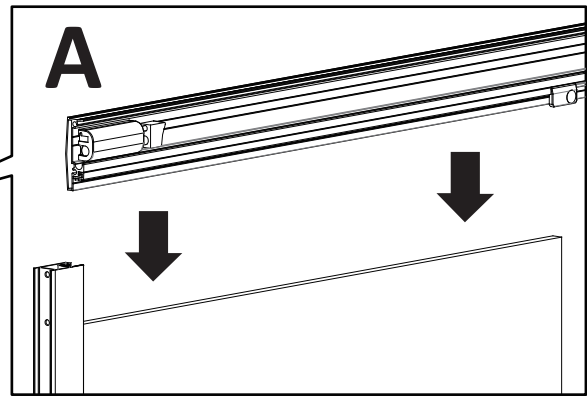
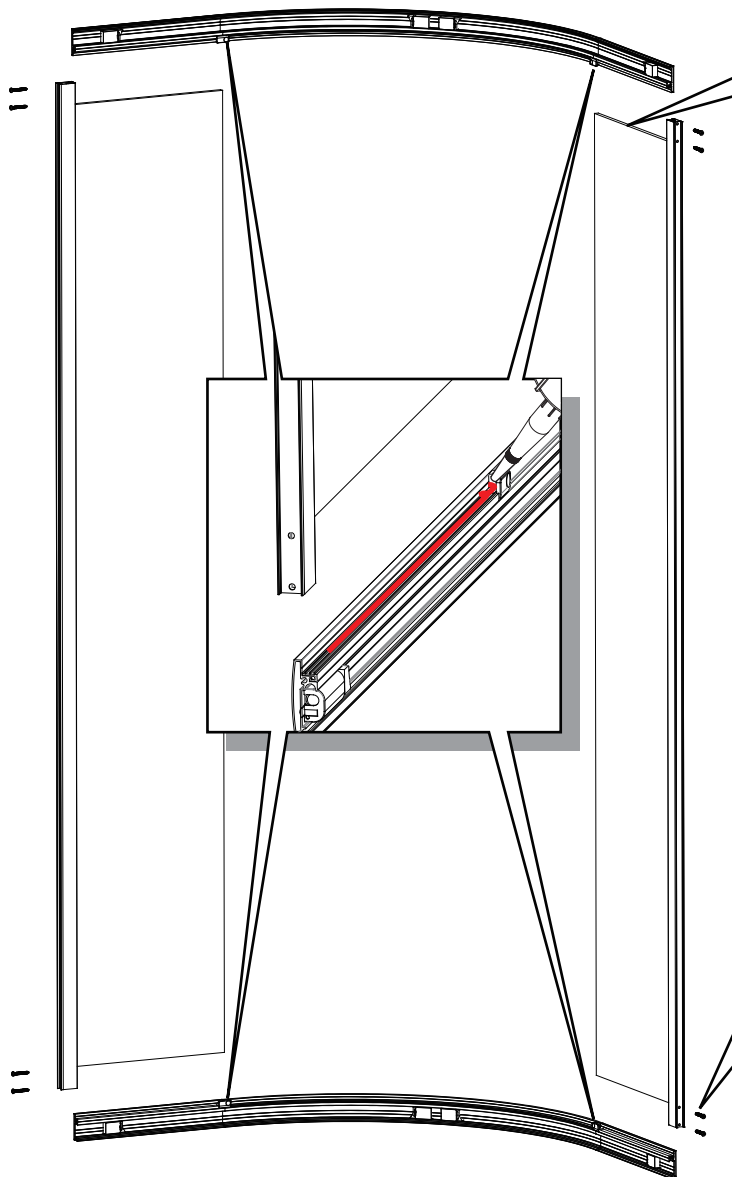
WHERE THE TRAY MEETS THE WALL

TRAY MUST BE 100% LEVEL IN ALL DIRECTIONS



TRAY MUST BE 100% LEVEL IN ALL DIRECTIONS
TRAY MUST BE SEALED FULLY AROUND WHERE
THE TRAY MEETS THE WALL

Ensure the shower tray is level in all directions and is properly sealed to the wall. The wall must be tiled down to the top edge of the tray. Do not angle out bottom tile.



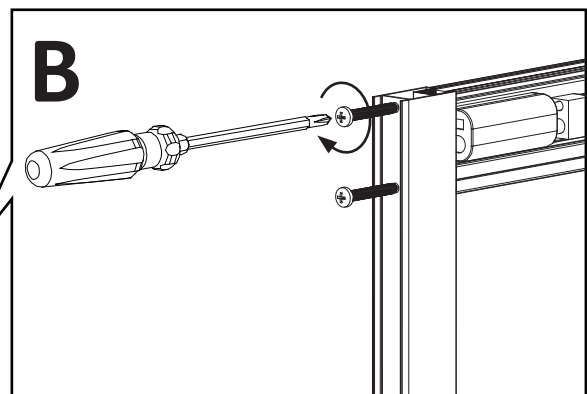
Step A

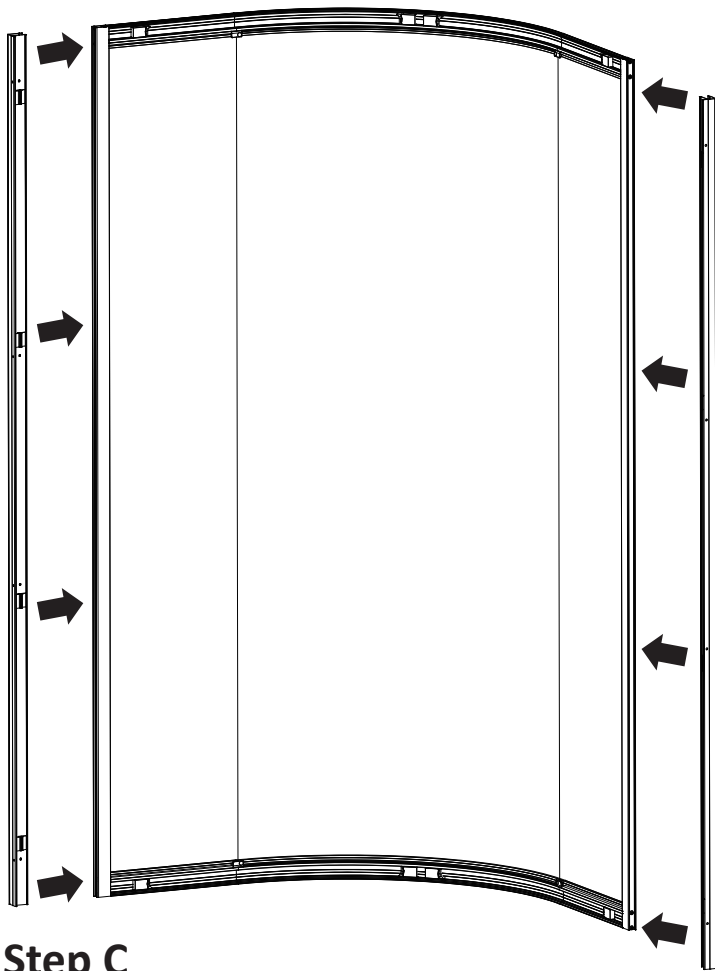
Put the top and bottom profile (ALU14497-T and ALU14497-B) on the fixed glass panel as shown. The gasket (T8GASK), Roller Stopper (S1PS34) and the Glass Clip (S1PS35-L/R) were pre-assembled.

Note: *Apply a small amount of silicone between the glass and the seal especially the corner of glass clips.*

Step B

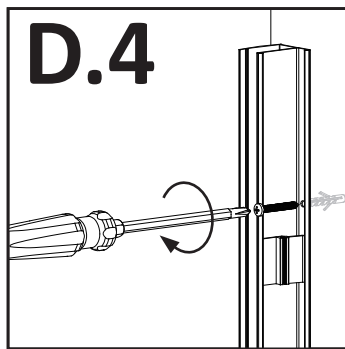
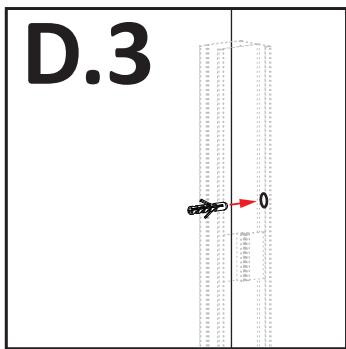
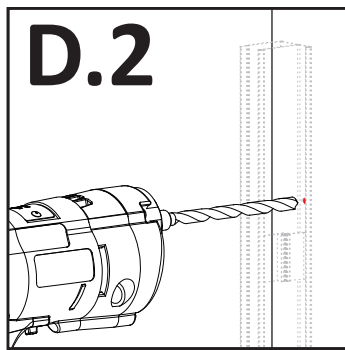
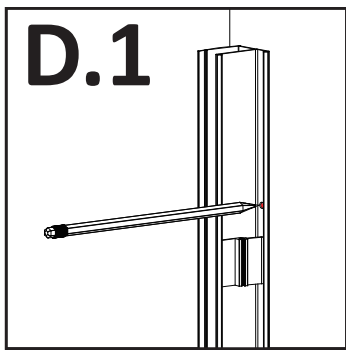
Fix the frame using ST 4 x 45 screws (8 x SBLT014).





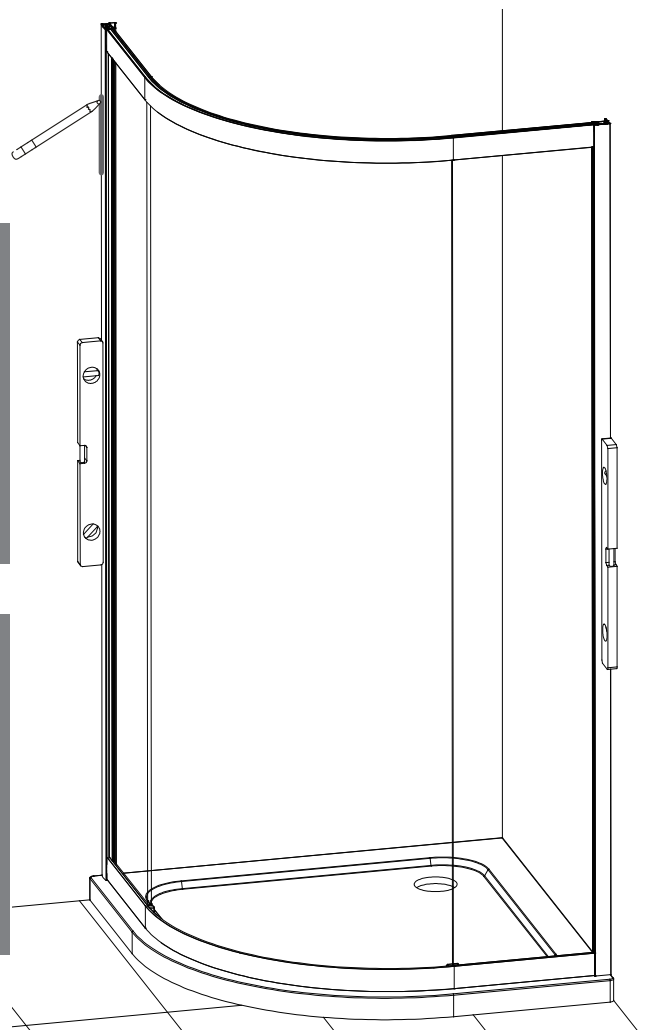
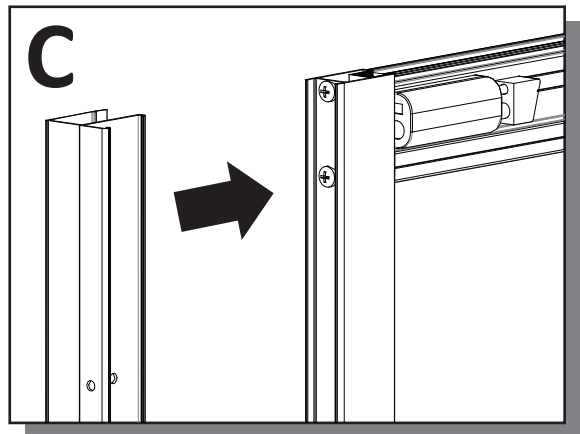
Step C

Position the assembled door frame (with wall profile fully pushed into frame) onto the tray and decide on the step in from the edge of the tray to wall profiles. The wall profiles can be adjusted until the door is positioned correctly on the tray.



Step D

Position the wall channels back on the tray ensuring the wall channels are plumb, mark the position of the holes in the wall. Do this by marking the wall with a pencil through the pre-drilled holes in the wall channel. Drill with **6mm** masonry drill bit and insert wall plug (**8 x SBLTL001**). Slot wall channels into the door frame, then lift door onto the tray. Fix the wall channel with screws **ST4x30** (**8 x SBLTL013**).



Step E

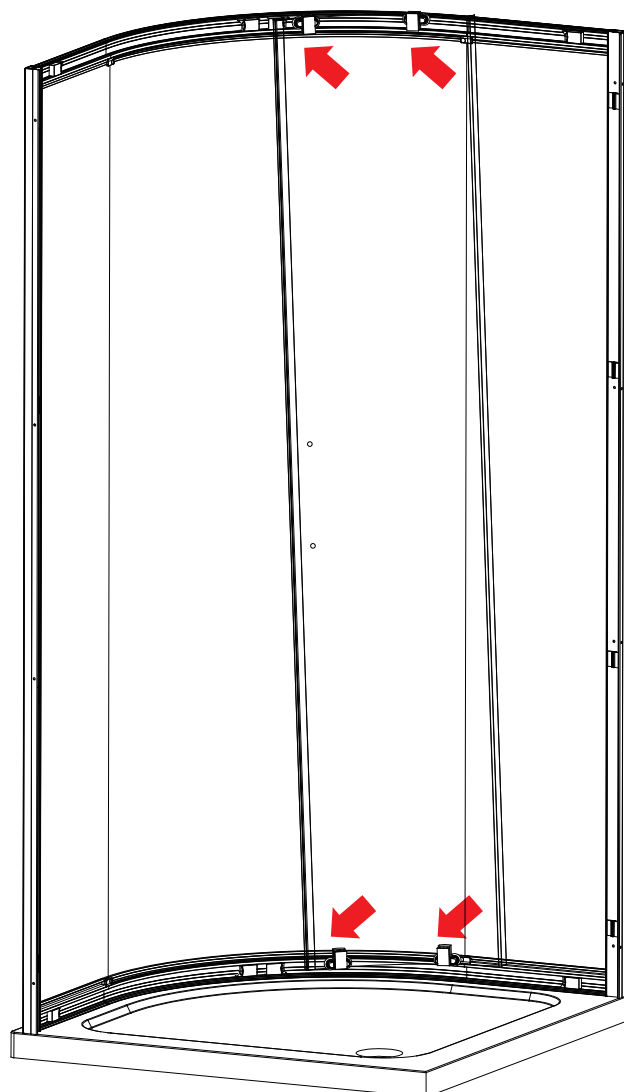
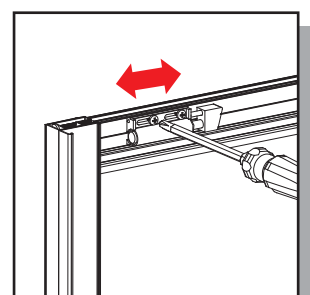
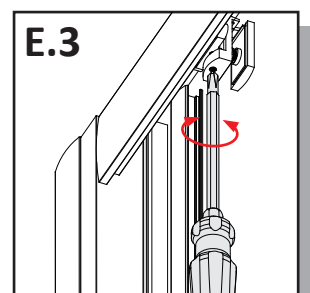
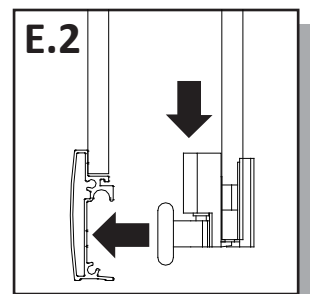
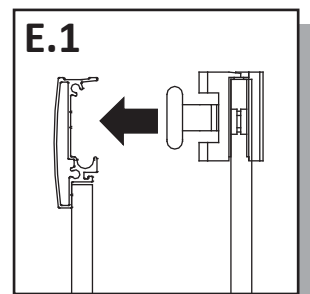
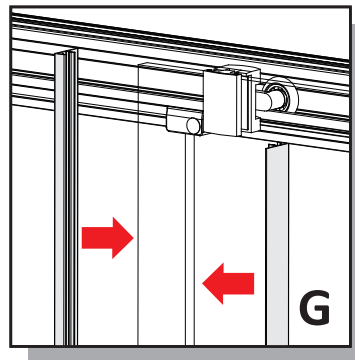
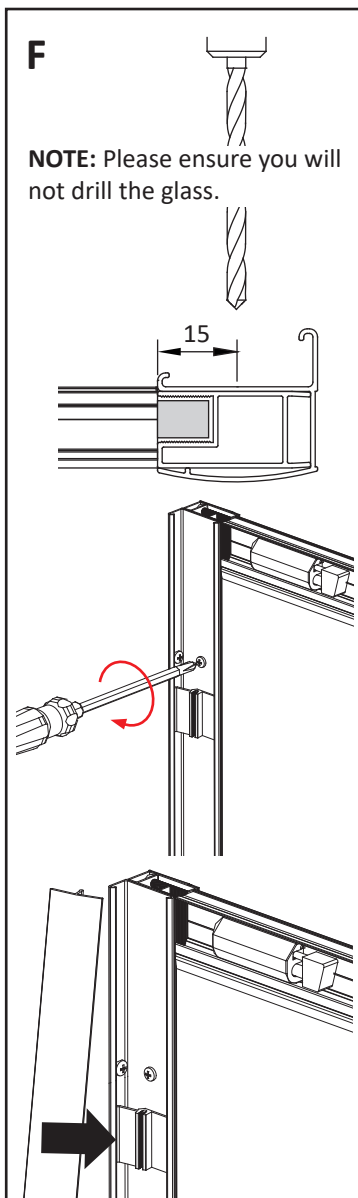
Slot the top rollers (2 x S1HW32) into the top profile and then clip in the bottom rollers (2 x S1HW33) as shown in E.1 and E.2. To ensure the correct rolling action and the door closes on the profile evenly, adjust the roller by adjusting the screw clockwise or anticlockwise as shown in E.3

Step F

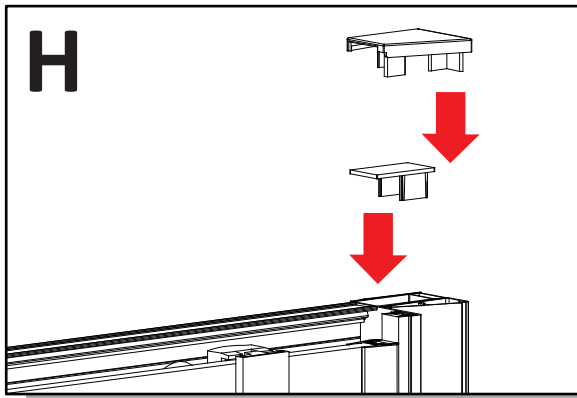
Drill 3 equally spaced holes with 3mm drill bit through the wall profile and frame. Fix the frame to the wall profile with ST3.5 x 12 screws (8 x SBLTL003). Put the Cover Profiles (2 x ALU13660) on the plastic clip (8 x S1PS20).

Step G

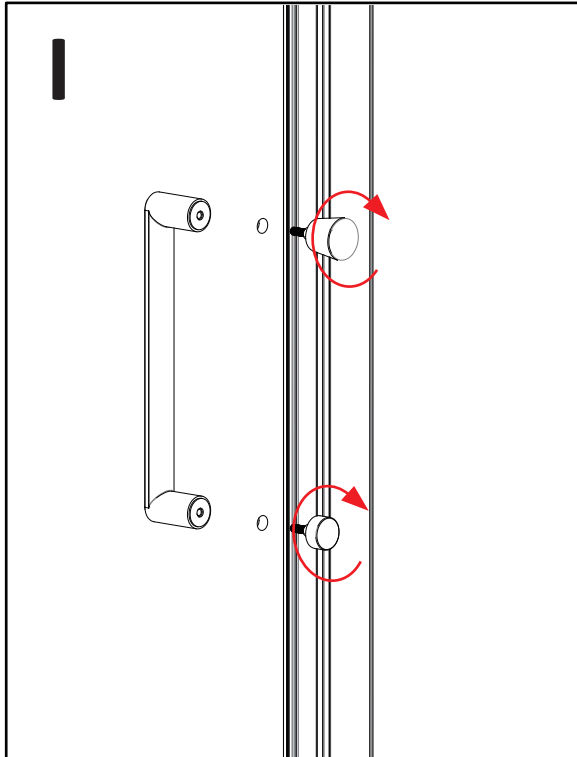
Attach the Fixed panel flipper seal 304A-8-10-1 to the fixed panel. Attach the Moving panel flipper seal 304A-8-10-2 to the end of moving panel.



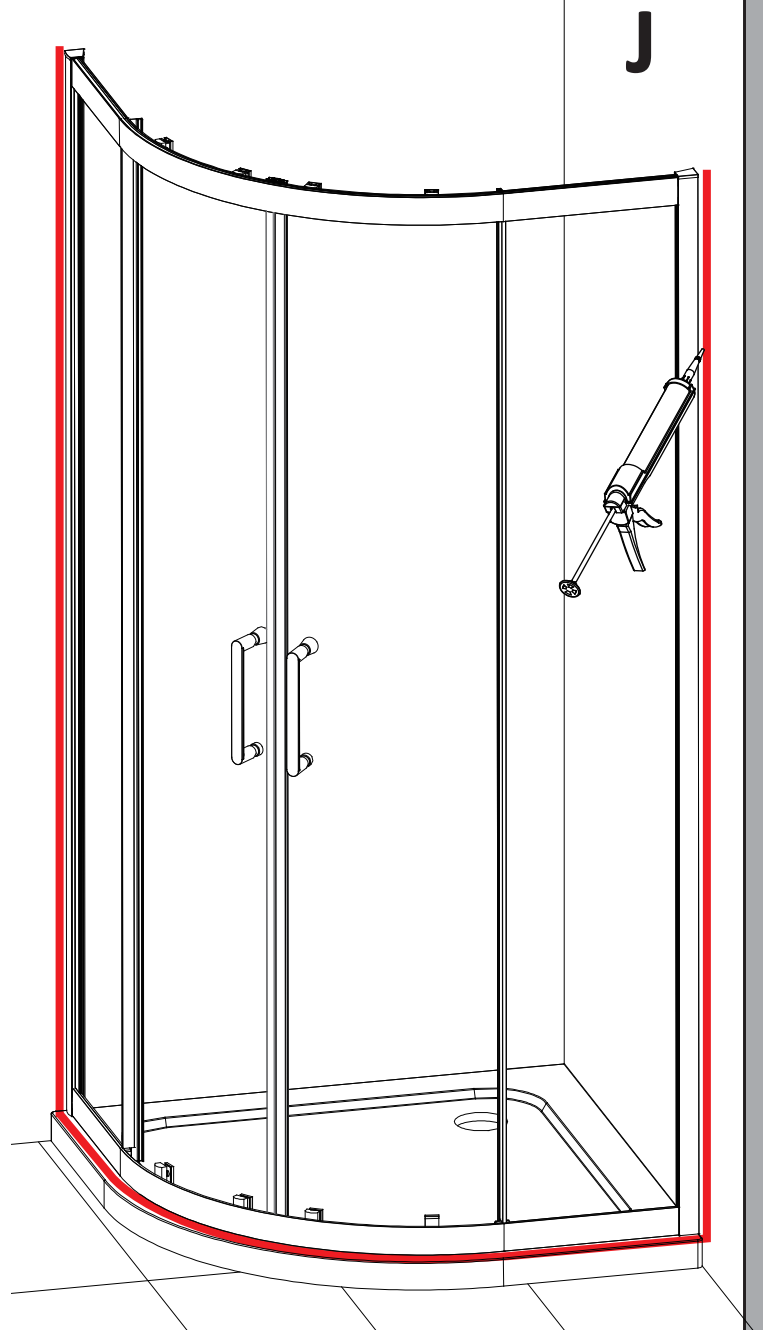
NOTE: The stoppers can be adjusted, you may need to adjust the stoppers a few to ensure the rollers can meet.



Step H
Put the upright profile caps **S1PS05** and wall channel caps **S1PS21L/R** on.



Step I
Assemble the handle (**S1HW30**) on the glass panel.



24 HRS
DO NOT USE THE ENCLOSURE FOR 24 HOURS AFTER SEALING



Step J
Applying Silicone Sealant And Cleaning
Seal from the top of the wall channel to the bottom on the **INSIDE** and **Outside** between the wall channel and the wall, and between the bottom profile and shower tray as shown. Wash down with clean warm water and a soft clean cloth or sponge. Please do not use bleach, alkaline or acid-based, aggressive or abrasive cleaning products.